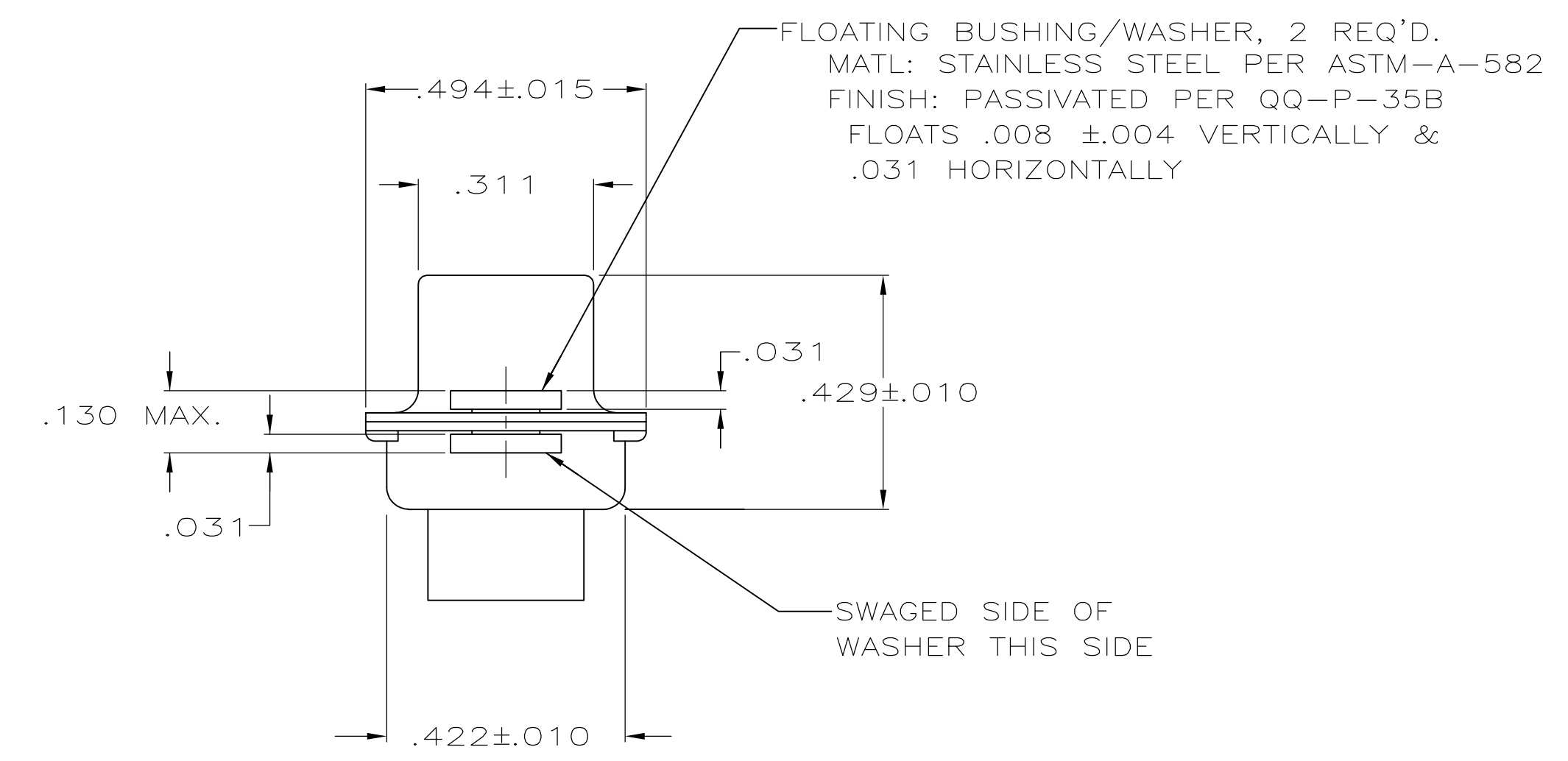
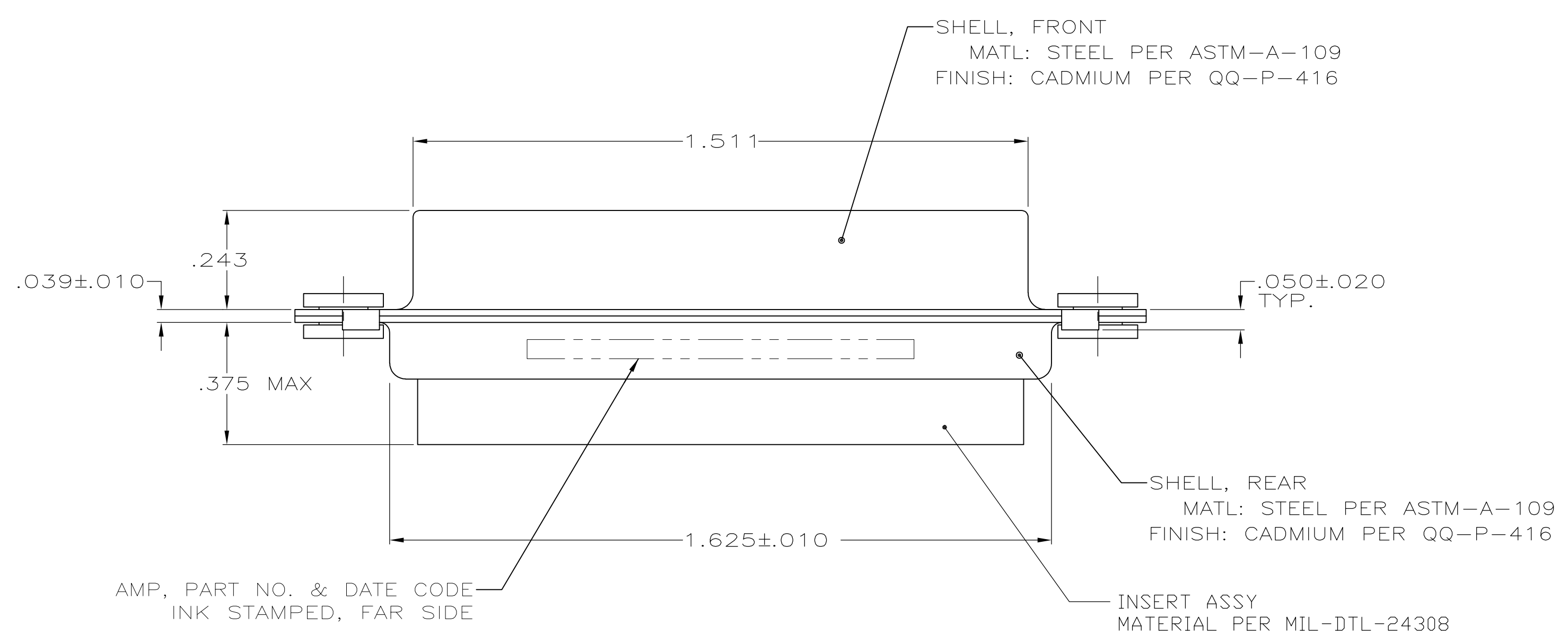
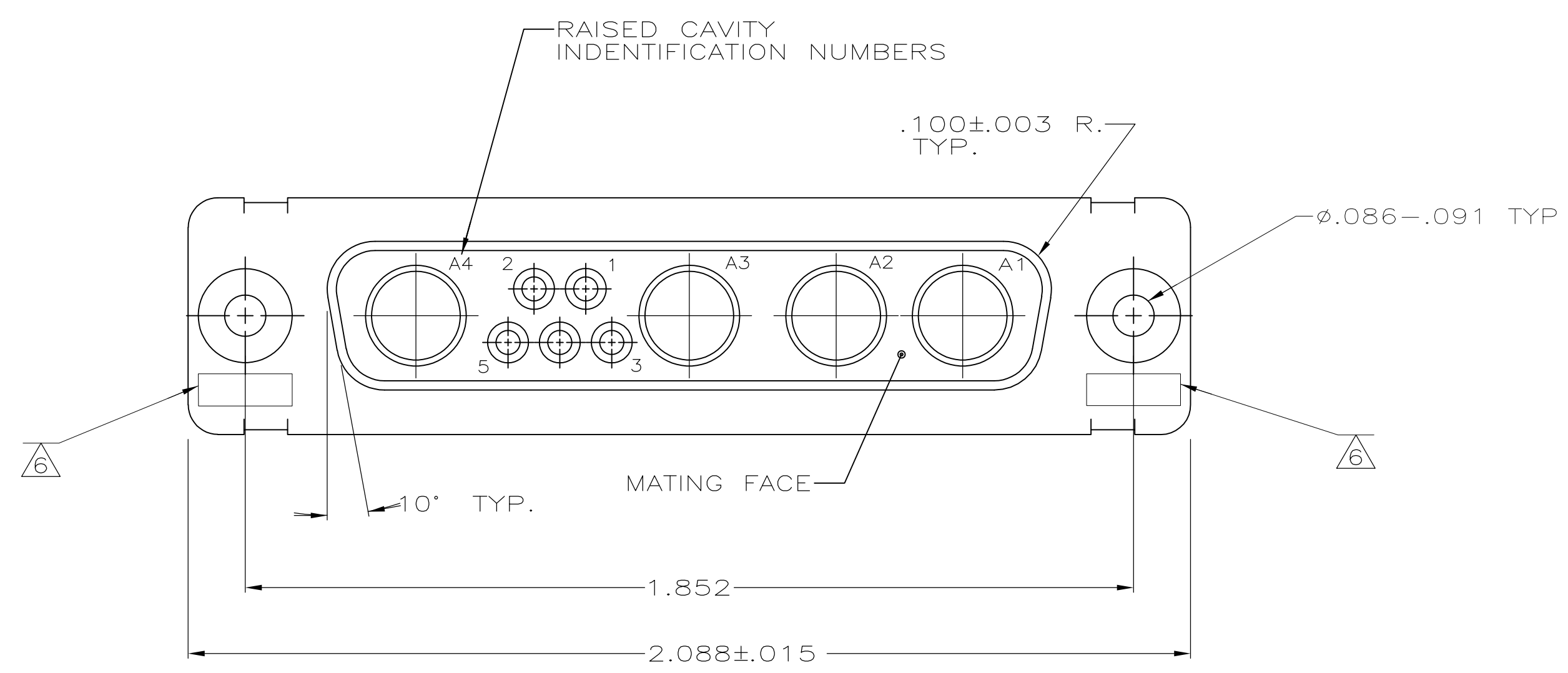


LOC		DIST		REVISIONS			
P	LTR	DESCRIPTION	DATE	DMN	APVD		
H	REV PER ECO	15-005929	5-12-15	CT	DM		



- THIS RECEPTACLE WILL MATE WITH ANY 9C4, SIZE 3 PLUG IN AMPLIMITE SERIES.
- MAXIMUM WIRE INSULATION TO BE USED WITH THIS RECEPTACLE IS $.068$ DIA.
- STAINLESS STEEL RETENTION CLIPS (5) ARE INCLUDED IN INSERT ASSEMBLY.
- CONNECTOR SUPPLIED WITH (6) SIGNAL SOCKET CONTACTS; PACKAGED IN A SEPERATE BAG.
- USE 4 SIZE 8 POWER OR COAX SOCKET CONTACTS. CONSULT PRODUCT ENGINEERING FOR MORE DETAILS
- UL/CSA DESIGNATION STAMPED IN THIS AREA, OPTIONAL.
- MATING FACE SIZE 8 PORTS CHAMFERED TO ACCOMODATE BLINDMATE APPLICATION. BLIND MATE PLUG 445701-1 WILL MATE WITH THIS CONNECTOR.

7	212051-2
4	212051-1
REMARKS	PART NO.

THIS DRAWING IS A CONTROLLED DOCUMENT.		DIN C.C.THOMAS 2-3-88	STE TE Connectivity																			
DIMENSIONS: INCHES		CHK A.F.MADI 2-8-88	NAME																			
TOLERANCES UNLESS OTHERWISE SPECIFIED:		APVD A.F.MADI 2-8-88	PRODUCT SPEC																			
<table border="1"> <tr><td>0 PLC</td><td>±</td><td>-</td></tr> <tr><td>1 PLC</td><td>±</td><td>-</td></tr> <tr><td>2 PLC</td><td>±</td><td>-</td></tr> <tr><td>3 PLC</td><td>±</td><td>.005</td></tr> <tr><td>4 PLC</td><td>±</td><td>-</td></tr> <tr><td>ANGLES</td><td>±</td><td>-</td></tr> </table>		0 PLC	±	-	1 PLC	±	-	2 PLC	±	-	3 PLC	±	.005	4 PLC	±	-	ANGLES	±	-	APPLICATION SPEC		
0 PLC	±	-																				
1 PLC	±	-																				
2 PLC	±	-																				
3 PLC	±	.005																				
4 PLC	±	-																				
ANGLES	±	-																				
MATERIAL SEE CALLOUTS		FINISH SEE CALLOUTS	WEIGHT	RESTRICTED TO																		
CUSTOMER DRAWING		SCALE 4:1	SHEET 1 OF 1	REV H																		