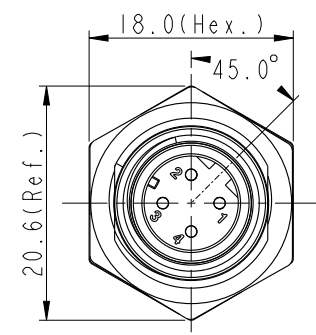
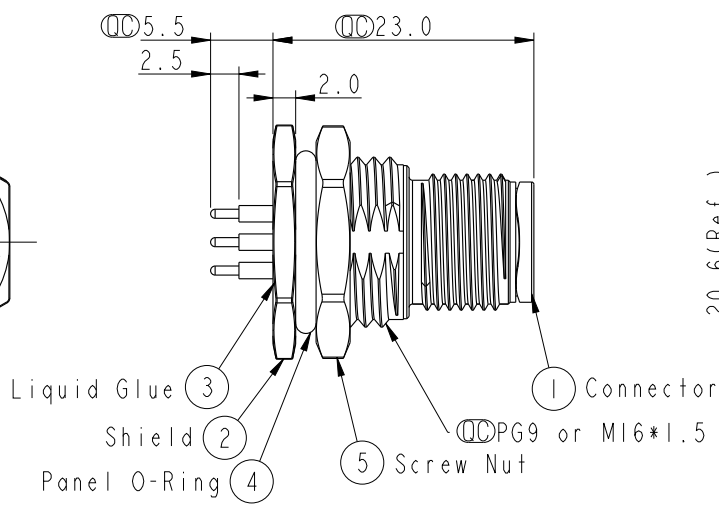
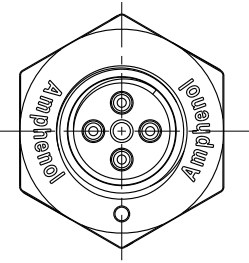
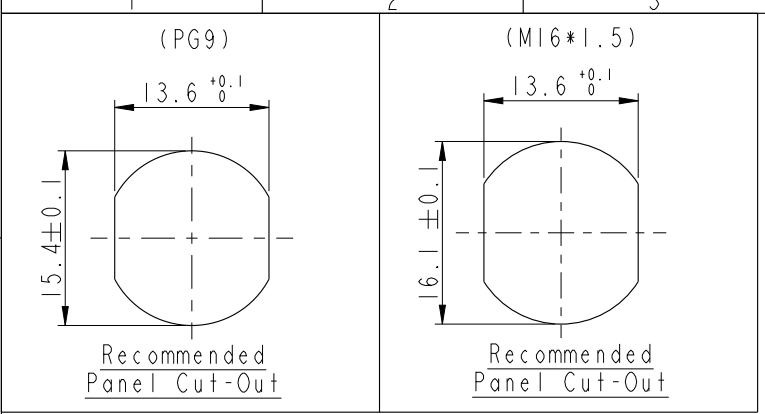


THIS DOCUMENT IS SUBJECT TO CHANGE WITHOUT NOTICE. IT IS CONFIDENTIAL AND A PROPERTY OF Amphenol LTW. DISCLOSURE TO THIRD PARTY HAS TO BE AUTHORIZED BY Amphenol LTW.

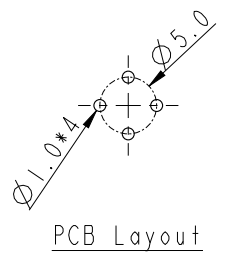
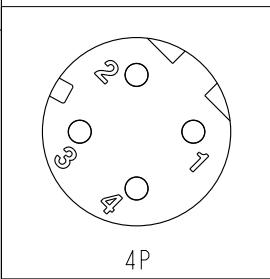
REV.	ECN NO.	DATE	SIGN	DESCRIPTION
B	LEN1580025-026	2015-07-24	Yulong_wang	Change to Share Drawing.



M I2D - 04 P M M P - S F 8 XXX

I2D: D-Code  
 04: 4Pin  
 P: Panel (板端)  
 M: Male Connector (公座)  
 M: Male Pin (公Pin)  
 P: PCB THT/DIP Type (180° 基板插件式)

001: PG9  
 002: M16\*1.5  
 8: IP68 (防水等级68)  
 F: Front Fasten (前锁式/Enclosure Rear Mount)  
 S: Screw (螺紋式)



- Note:
- \*  $\varnothing$  Important Dimension.
  - \* Waterproof Rate: IP68.
  - \* Housing: Nylon+GF, Black.
  - \* Male Pin: Copper Alloy, Gold Plated.
  - \* Shield: Zinc Alloy, Nickel Plated.
  - \* Screw Nut: Zinc Alloy, Nickel Plated.
  - \* Panel O-Ring: Viton, Black.
  - \* Rated Voltage: 250V dc. or ac.
  - \* Rated Current: 4A
  - \* Operating Temperature: -40~105°C
  - \* For Panel Thickness Max 4.5mm.
  - \* Recommended Nut Torque: 4-6 Kgf.cm.

4P  
Pin Assignment Front View

UNIT: mm		TITLE M12 D-Code Male Conn. PCB Type Unshielded	Amphenol LTW 安費諾亮泰企業股份有限公司		ITEM NO M12D-04PMMP-SF8XXX	DRAWN BY Yulong_wang	DATE 2015-07-24
TOLERANCE .X ±0.25 .XX ±0.1 .XXX ±0.05 ANGLES ±1°	SCALE 2:1	SIZE A4	SHEET 1 OF 1	REV. B	CUSTOMER ALTW	CHECKED BY Cary	DATE 2015-07-24
		WC-REV. A.5	$\varnothing$ : Inspection item		APPROVED BY Jerry		DATE 2015-07-24