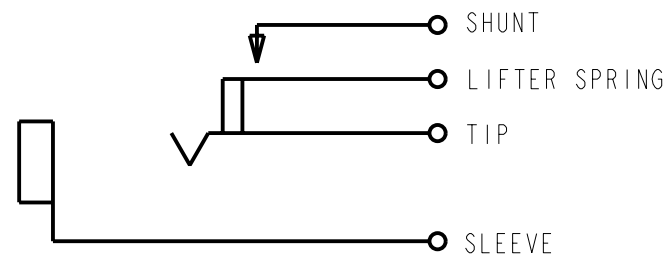
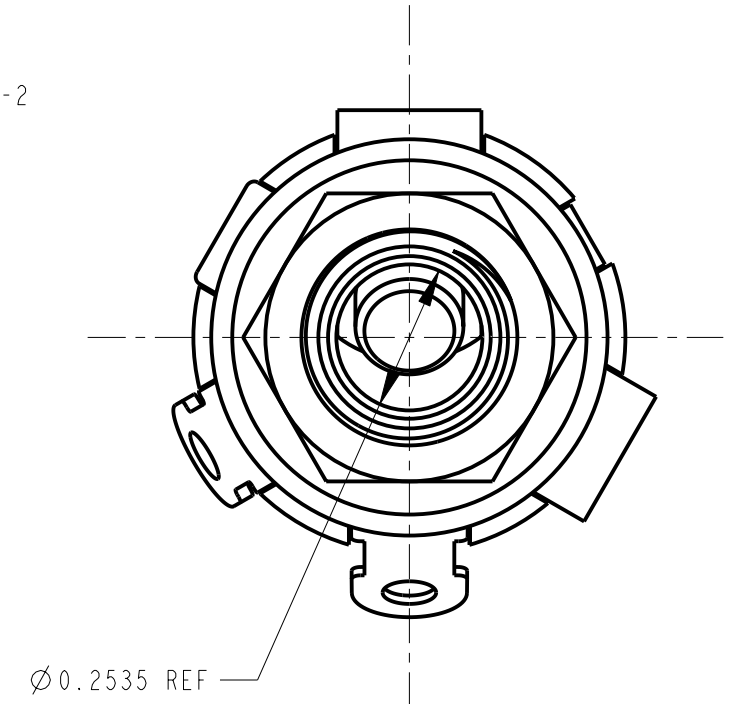
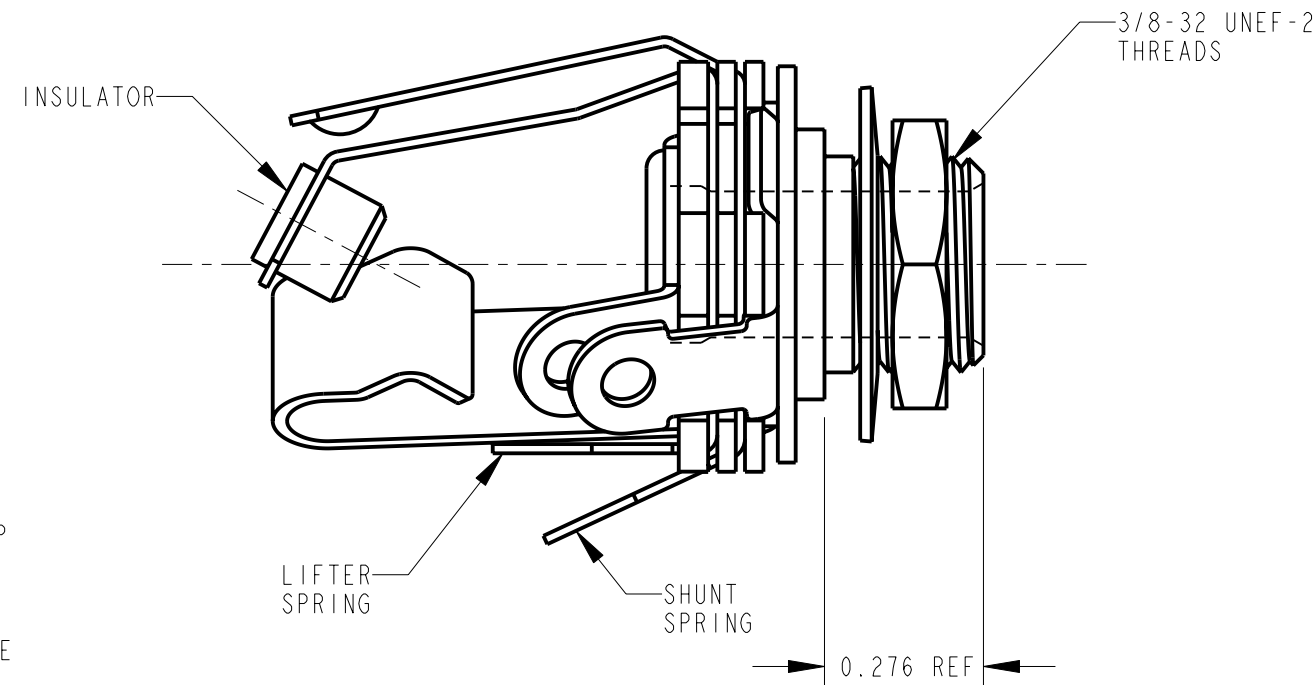
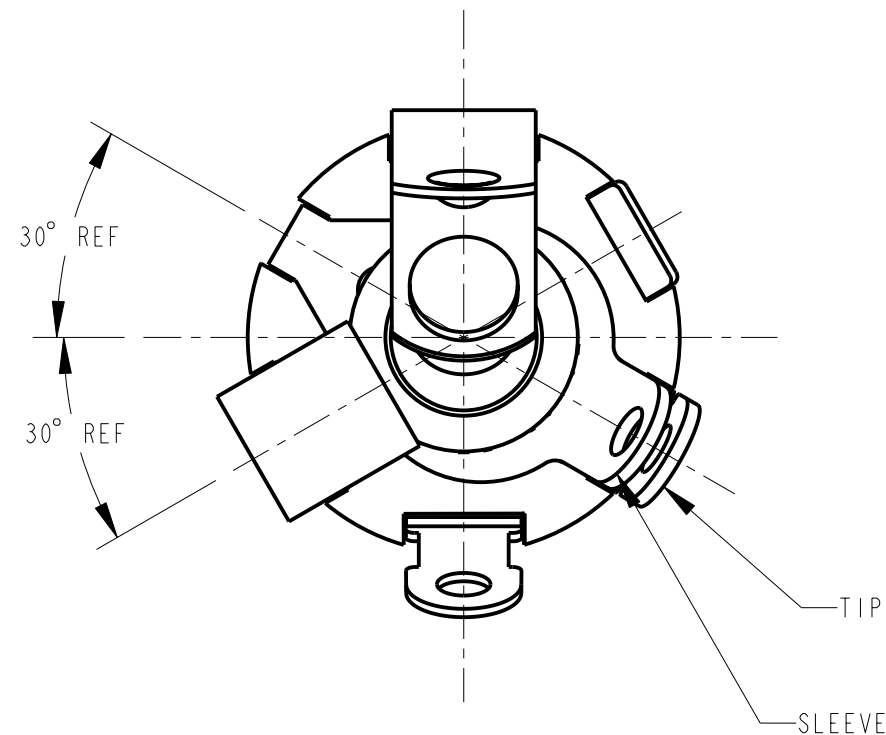


NOTES:

1. HARDWARE SHIPPED UNASSEMBLED.

MATERIALS:

SPRINGS: NICKEL SILVER ALLOY
 INSULATORS: PHENOLIC
 TERMINALS: COPPER ALLOY, TIN PLATED
 BUSHING: COPPER ALLOY, NICKEL PLATED
 WASHER: C.R. STEEL
 HEX NUT: BRASS, NICKEL PLATED



SCHEMATIC

CUSTOMER DRAWING

					★ STAR SYMBOL DENOTES CRITICAL DIMENSION	THIS DRAWING DESCRIBES A DESIGN CONSIDERED PROPRIETARY IN NATURE, DEVELOPED AND MANUFACTURED BY SWITCHCRAFT INC. AND IS RELEASED ON A CONFIDENTIAL BASIS FOR IDENTIFICATION PURPOSES ONLY.					
					UNLESS OTHERWISE SPECIFIED	SIZE	WIDTH	MULT	LBS/M	TEMPER	
					1. ALL DIMENSIONS IN INCHES - TWO PLACE DECIMALS ±0.01 - THREE PLACE DECIMALS ±0.005 - ANGLES ±1° - ALL DIA. CONCENTRIC WITHIN 0.005 T.I.R.	FINISH		MATERIAL			
					2. FEATURES ON THE SAME CENTERLINE MUST BE ALIGNED WITHIN ±0.002	SPEC No.		SPEC No.			
					3. REMOVE ALL BURRS	FIRST USED ON		SCALE		Switchcraft [®]	
					DO NOT SCALE DRAWING	3:1		SHEET 1 OF 1			
E	ECO #23089	10-20-99	DA	DK	DATE DRAWN	BY	CHKD	APVD	PART No.		
REV	ECO NUMBER	DATE	BY	APVD	20-Oct-99	DA	DK	DK	13		
REVISIONS					LITTEL JAX					REV	E