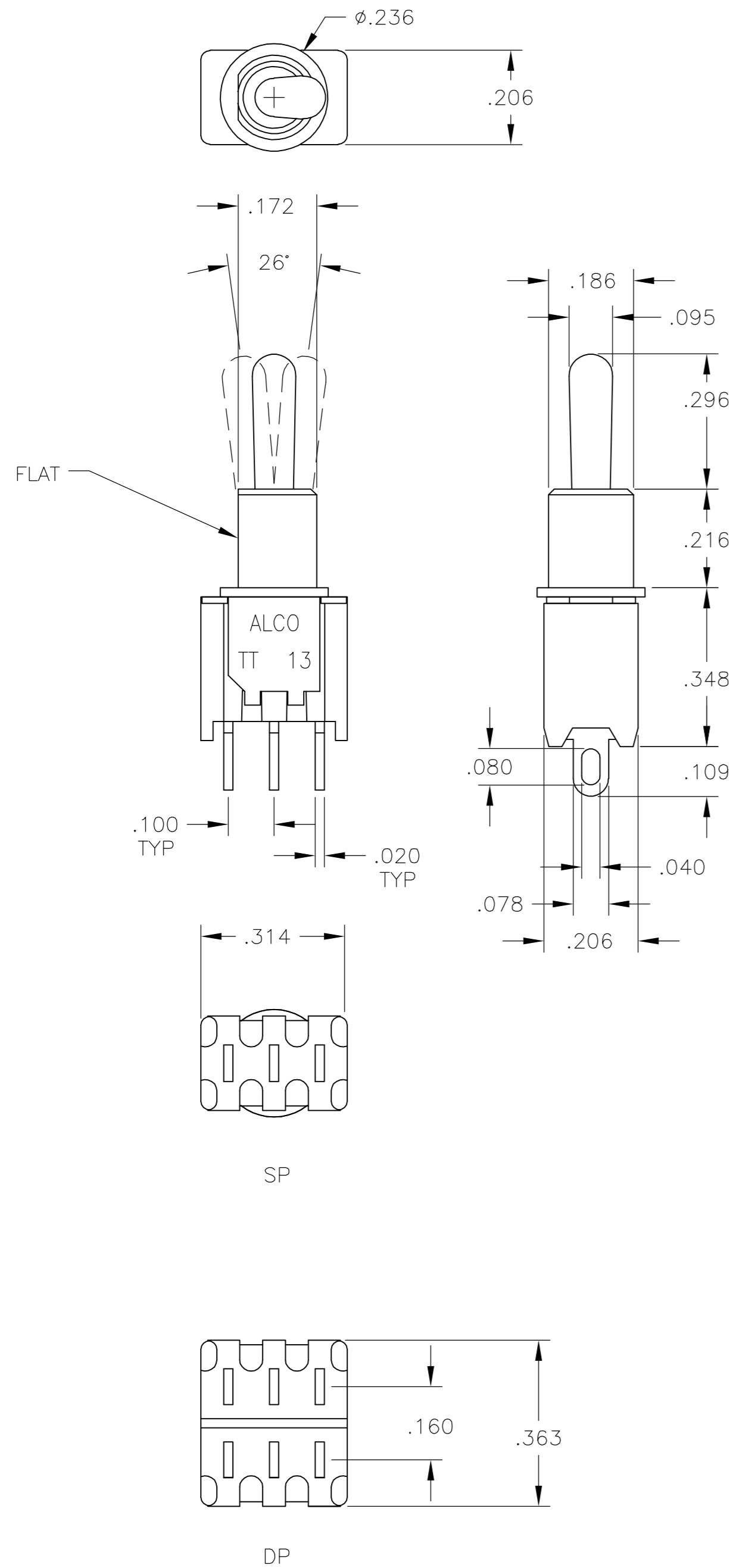


THIS DRAWING IS UNPUBLISHED. RELEASED FOR PUBLICATION
 © COPYRIGHT BY TYCO ELECTRONICS CORPORATION. ALL RIGHTS RESERVED.

LOC		DIST		REVISIONS			
P	LTR	DESCRIPTION		DATE	DWN	APVD	
D		0G3C-0194-05		26MAR2007	RB	MZ	



NOTES:

- MATERIALS:**
 CASE AND ACTUATOR: THERMOPLASTIC, UL94-V0.
 FRAME: STEEL, TIN PLATED
 BUSHING AND ACTUATOR LEVER: BRASS, NICKEL PLATED
 ROCKER CONTACTS: SILVER/BRASS, LAMINATE
 PLUNGER: STAINLESS STEEL, PASSIVATED
 SPRING: MUSICAL WIRE
 TERMINALS: SILVER/BRASS, LAMINATE, SILVER PLATED
 TERMINAL SEAL: SP EPOXY
 DP EPOXY OPTIONAL
- ELECTRICAL:**
 CONTACT RATING: 3A@125VAC OR 28VDC (2 POSITION)
 2A@125VAC (3 POSITION)
 INITIAL CONTACT RESISTANCE: 20 MILLIOHMS MAX
 INSULATION RESISTANCE: 1,000 MEGOHMS AT 500 VDC MIN.
 DIELECTRIC STRENGTH: 1,000 VOLTS RMS AT SEA LEVEL
 LIFE EXPECTANCY: 80,000 CYCLES (2 POSITION)
 60,000 CYCLES (3 POSITION).
- ENVIRONMENTAL:**
 OPERATING TEMPERATURE: -22°F TO $+185^\circ\text{F}$ (-30°C TO $+85^\circ\text{C}$)
 STORAGE TEMPERATURE: -67°F TO $+185^\circ\text{F}$ (-55°C TO $+85^\circ\text{C}$)
- TT13A2T HAS TERMINALS 1 & 3 ONLY
 TT23K2T HAS TERMINALS 1, 3, 4 & 6
 HARDWARE INCLUDED: 1 HEX NUT AND 1 LOCKWASHER

TYCO PART NUMBER	MODEL NUMBER	TERMINALS CONNECTED WHEN TOGGLE IN POSITIONS SHOWN.	DESIGNATION NUMBERS ARE FOR REFERENCE ONLY AND DO NOT APPEAR ON THE SWITCHES.
5-1437562-7	TT23P2T	2 TO 1, 5 TO 4	OFF
5-1437562-1	TT23N2T	2 TO 1, 5 TO 4	NONE
4-1437562-7	TT23K2T	3 TO 1, 6 TO 4	NONE
9-1437561-5	TT13E2T	2 TO 1	OFF
8-1437561-5	TT13D2T	2 TO 1	NONE
7-1437561-8	TT12A2T	3 TO 1	NONE

THIS DRAWING IS A CONTROLLED DOCUMENT.		DWN M.BINNER 17OCT2001	tyco Electronics		Tyco Electronics Corporation Harrisburg, Pa 17111	
DIMENSIONS: INCHES	TOLERANCES UNLESS OTHERWISE SPECIFIED:	CHK M.ZITTO 22OCT01	APVD M.ZITTO 22OCT01	NAME SWITCH, TOGGLE TT13*2T & TT23*2T		
0 PLC ± - 1 PLC ± - 2 PLC ± - 3 PLC ± - 4 PLC ± - ANGLES ± - FINISH -		APPLICATION SPEC	WEIGHT	SIZE A2	CAGE CODE 00779	DRAWING NO G=7-1437561-8
MATERIAL SEE TABLE		CUSTOMER DRAWING	SCALE 8:1	SHEET 1 OF 1	REV D	RESTRICTED TO