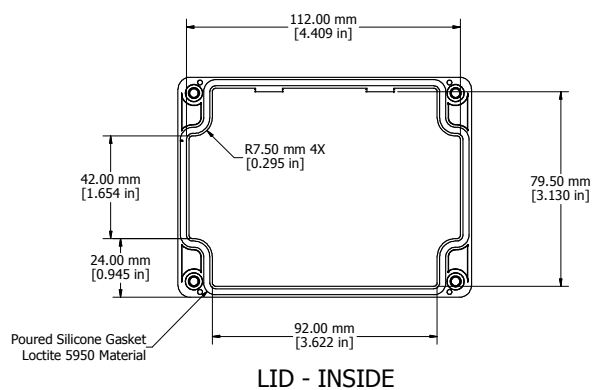
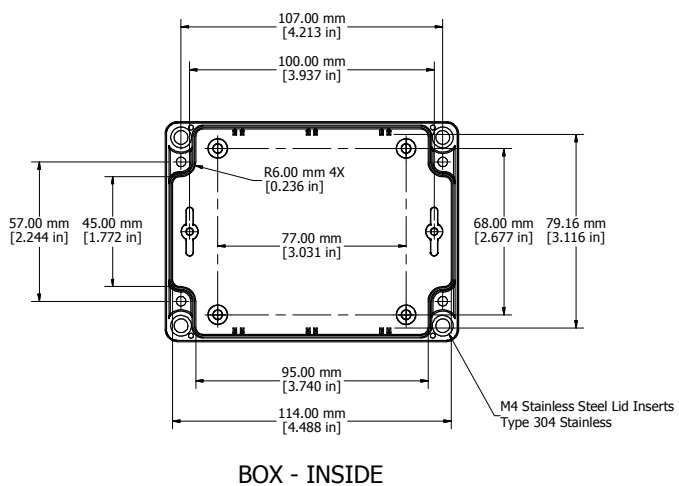
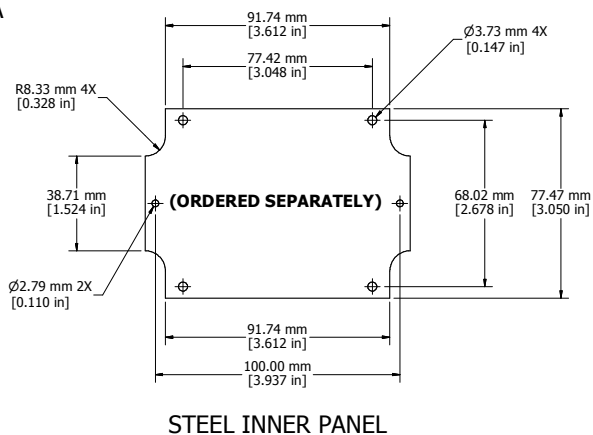
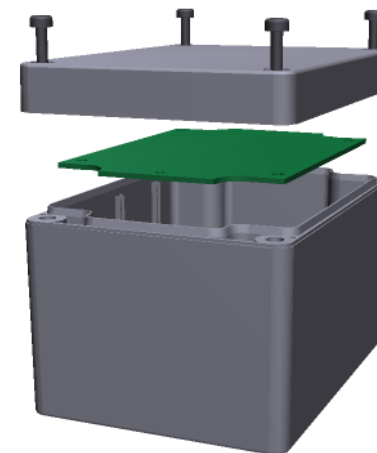


**UL** LISTED  
 File #E65324  
 NEMA 4, 4X



Enclosures can be Factory Modified ( Milling, Drilling, Printing etc. )  
 Solid models of this enclosure available in STEP or IGES see web.  
 Contact [mjm@hammondmg.com](mailto:mjm@hammondmg.com) for Quotes.

NOTE	
Purchased assembly includes box, lid, and 4 cover screws	
Recommended Cover screw torque -- 2.5 lb-ft (30 cN-m)	
Polycarbonate version is UL 508 approved Mat'l UL94 - V0 / 5VA @ 3mm	

1554G	
<b>1554G Regular Enclosure</b>	
General Purpose ABS RAL-7035	1554GGY
Polycarbonate RAL-7035	1554G2GY
<b>1554G Clear / Smoke Lid Enclosure</b>	
Polycarbonate Box / Clear Polycarbonate Lid	1554G2GYCL
Polycarbonate Box / Smoke Polycarbonate Lid	1554G2GYSL
<b>ACCESSORIES</b>	
Heavy Duty 16 Gauge Galvanized Steel Panels	1554FPL
Steel Panel / P. C. Board Machine Screw [M3 x 8mm Nickel Plated]	1591MM100
Steel Panel / P. C. Board Self Tapping Screw [#6 X 1/4" (6.4mm) Nickel Plated]	1598ATS100
Cover Screws (Pkg 4) [M4 X 20mm Type 304 Stainless Steel]	SC1554

