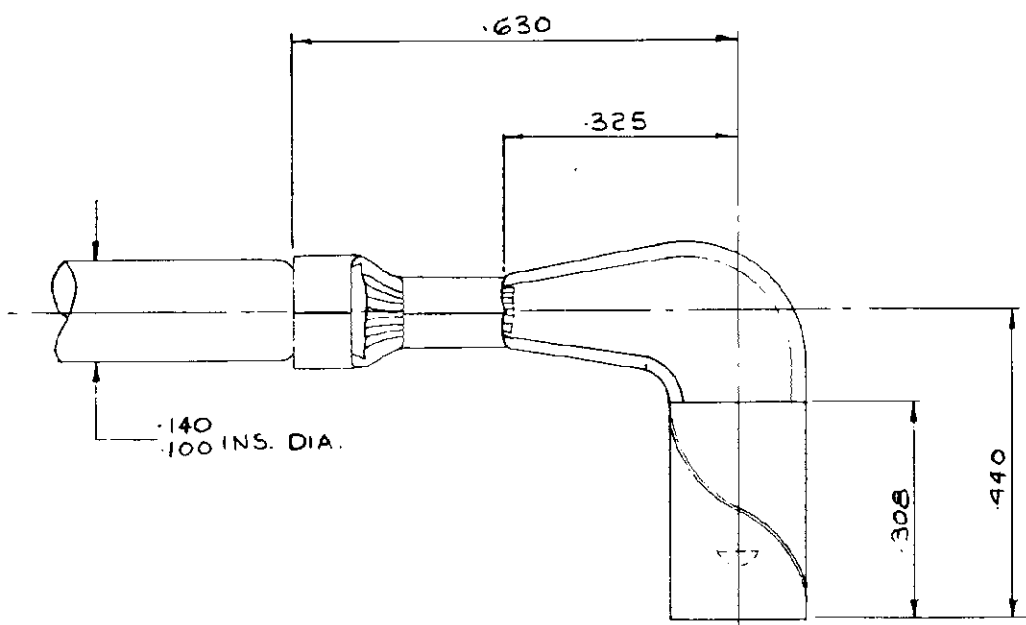


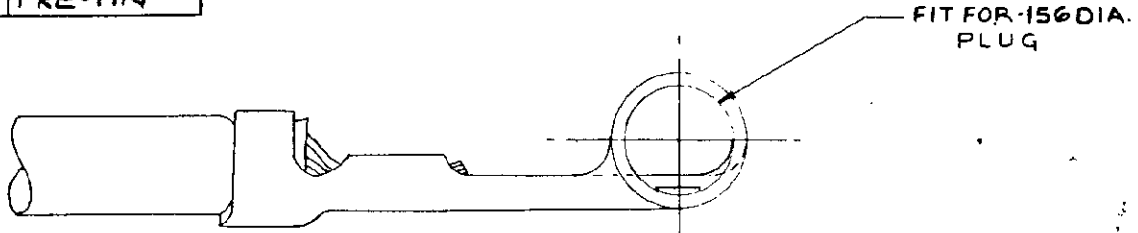
NUMBER C-150656

**C AIRCRAFT-MARINE PRODUCTS (G.B.) LTD. 1963**

**1** OBSOLETE PARTS: OBSOLETE CIS STREAMLINING PER D.RENAUD/D.SINISI



1-150656-2	REVERSE REELED PRE-TIN	OBSOLETE	<b>1</b>
150656-2	PRE-TIN		



CUSTOMER COPY  
FOR REFERENCE ONLY

1-150656-1	REVERSE REELED
150656-1	NONE
PART No	FINISH.

MATERIAL	HEAT TREAT	COATING OR PLATING
.020 PHOS. BRONZE		

UNLESS OTHERWISE SPECIFIED REMOVE BURRS. BREAK SHARP EDGES 1/64 R. MAX  
FRACTIONS ± 1/64 DECIMALS .000 = ± .005  
ANGLES: ± 0° 30' .0000 = ± .0005

FIRST USED	WIRE RANGE	CLASS	TYPE	SCALE
	20-16	WT-R	AUTOMATIC	4:1

P.P.P. AREA **AMP** AIRCRAFT-MARINE PRODUCTS (GREAT BRITAIN) LTD. LONDON, E.C.1.

DR. J. Seagrave	20.6.63	LOC	No	REV
CHK. [Signature]	20.6.63	<b>A</b>	C-150656	C1

APP. [Signature] NAME WIRE TERMINAL SHUR PLUG RECEPTACLE  
REL. [Signature]

PRINT DIST DIMENSIONS IN INCHES DO NOT SCALE PRINT

C1	REV PER ECO-10-000444	KK	08 JAN 10
C-2	# 1-2 ADDED.	AEG	11/11/55
D	1-1 ADDED	DR	31-1-76
A	100 AND 3/0	YCHN	
LTR	REVISION RECORD	ECA	DATE