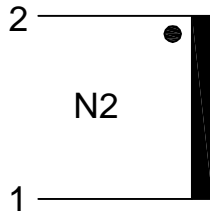


Product Type	Current transformer H0A
Part Number	ASM-0H0
Customer Part Number	
Customer	

SCHEMATIC:



ELECTRICAL SPECIFICATION:

- Rated input current : 1 - 30 Amps
- Primary to Secondary isolation : 2500VAC
- Operating frequency : 50 / 60Hz
- Operating temperature range : -40°C to +120°C

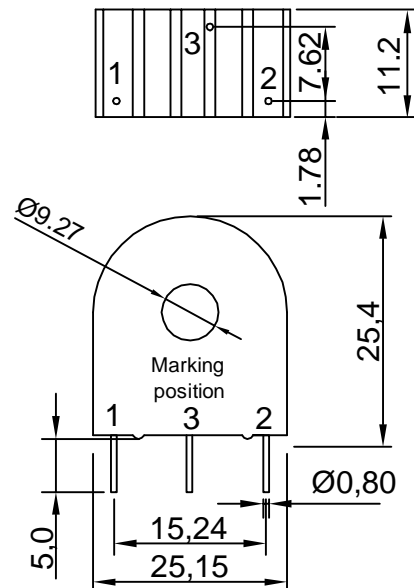
LOAD TEST DETAILS:

$I_p=30A$
 $R_L=220\Omega$
 $U_s=55mV\pm 10\%$

MARKING INFORMATION:

AT 00
 YY/Wk code ASM-030

MECHANICAL DIMENSIONS:



All dimensions are in mm
 Linear dimensional tolerance $\pm 0.2mm$

Pin 3 dummy pins

-----Issued-----	1	0	Anidha.KÁ	04-Nov '10Á
ChangesA	Issue	RevÁ	Initial	Date