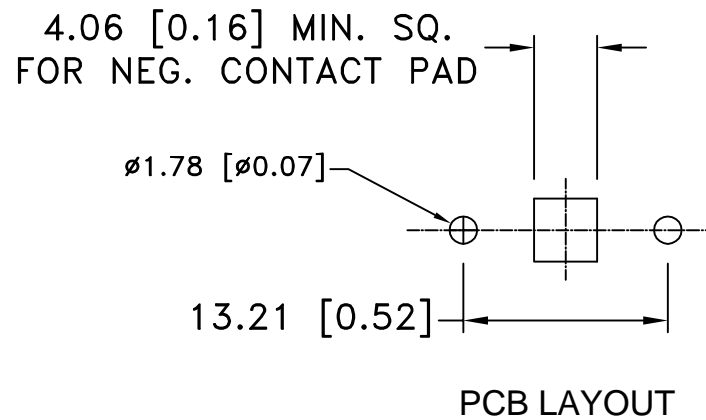
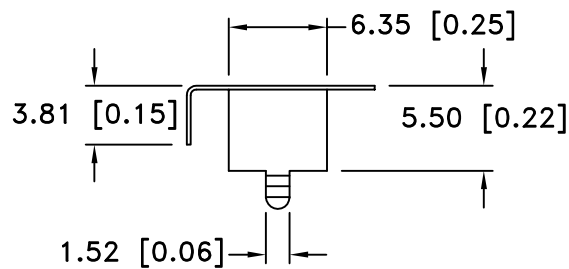
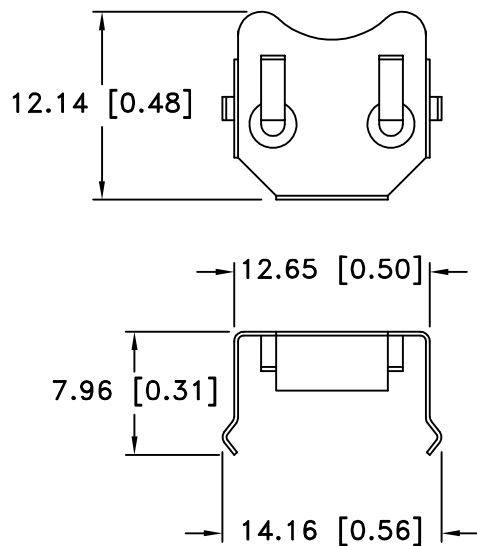



Date	SYM	REVISION RECORD	AUTH	DR.	CK.



NOTES:

- MATERIAL:
0.25mm (0.010") PHOSPHOR BRONZE, NICKEL PLTD.

Tolerance (Except as noted)	 Memory Protection Devices, Inc 200 Broad Hollow Road, Farmingdale, New York 11735		
decimal $\pm .5$ (.020)		Scale	Drawn By B.S.
Fractional $\pm .8$ (.030)	Title LR44 BATTERY RETAINER FOR THRU HOLE		
Angular $\pm 3^\circ$	Date 8/5/06	Drawing Number BK-5091	