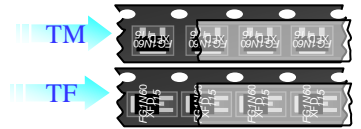


# TO252-3L, JEDEC OPTION AA, PACKING CONFIGURATION: Figure 1.0



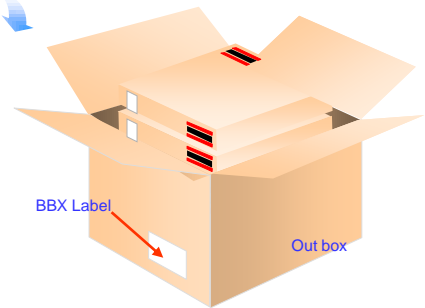
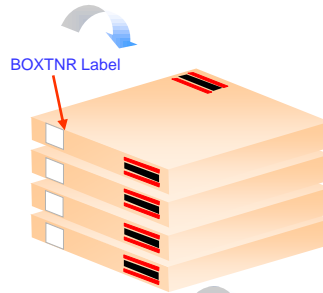
## TO252-3L Unit Orientation

### Packing Description:

TO252-3L parts are shipped in tape. The carrier tape is made from a dissipative (carbon filled) polycarbonate resin. The cover tape is a multilayer film (Heat Activated Adhesive in nature) primarily composed of polyester film, adhesive layer, sealant, and anti-static sprayed agent. These reeled parts in standard option are shipped with 2500(TM) / 2000(TF) units per 13" or 330cm diameter reel. The reels are dark blue or black in color and is made of polystyrene plastic (anti-static coated). This and some other options are further described in the Packing Information table.

These full reels are individually barcode labeled and placed inside a standard intermediate box (illustrated in figure 1.0) made of recyclable corrugated brown paper. One box contains three reels maximum. And these boxes are placed inside a barcode labeled shipping box which comes in different sizes depending on the number of parts shipped.

| TO252-3L Packing Information |               |             |               |             |
|------------------------------|---------------|-------------|---------------|-------------|
| Packing Option               | Standard (TF) |             | Standard (TM) |             |
|                              | Single Reel   | Double Reel | Single Reel   | Double Reel |
| Packing type                 | TNR           | TNR         | TNR           | TNR         |
| Qty per Reel/Tube/Bag        | 2,000         | 2,000       | 2,500         | 2,500       |
| Reel Size                    | 13" Dia       | 13" Dia     | 13" Dia       | 13" Dia     |
| Inner Box Dimension (mm)     | 333x333x25    | 343x350x68  | 333x333x25    | 343x350x68  |
| Max qty per Box              | 2,000         | 4,000       | 2,500         | 5,000       |
| Outer Box Dimension (mm)     | 360x360x300   | 360x360x300 | 360x360x300   | 360x360x300 |
| Max qty per Box              | 24,000        | 24,000      | 30,000        | 30,000      |



## Reel Barcode Label Sample

**LOT:** [Barcode] **QTY:** [Barcode]  
**FSID:** [Barcode] **SPEC:** 2<sup>ND</sup> Level Interconnect  
**D/C1:** **QTY1:** **SPEC REV:** RoHS COMPLIANT  
**D/C2:** **QTY2:** 1. Category e3  
 2. Maximum safe temperature 200 deg C  
 3. MSL 1  
 FAIRCHILD SEMICONDUCTOR (BOXTNR) 6.1

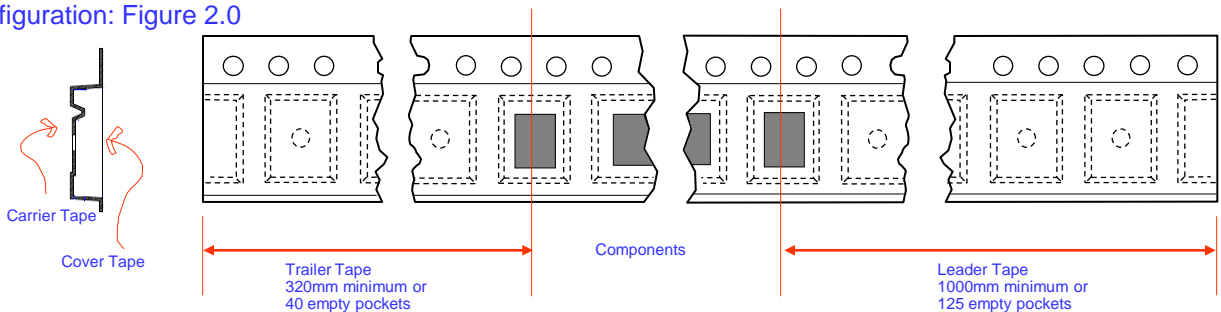
## Inner Box Barcode Label Sample

**LOT:** [Barcode] **QTY:** [Barcode]  
**FSID:** [Barcode] **SPEC:** 2<sup>ND</sup> Level Interconnect  
**D/C1:** **QTY1:** **SPEC REV:** RoHS COMPLIANT  
**D/C2:** **QTY2:** 1. Category e3  
 2. Maximum safe temperature 200 deg C  
 3. MSL 1  
 FAIRCHILD SEMICONDUCTOR (BOXTNR) 6.1

## Outer Box Barcode Label Sample

**PART ID:** [Barcode] **LOT:** [Barcode] **QTY:** [Barcode]  
 2013/02/01 08:33:54  
**D/C:** BG FS00130  
**SM13B11526**  
 FAIRCHILD SEMICONDUCTOR CORPORATION (BBX) 1.2

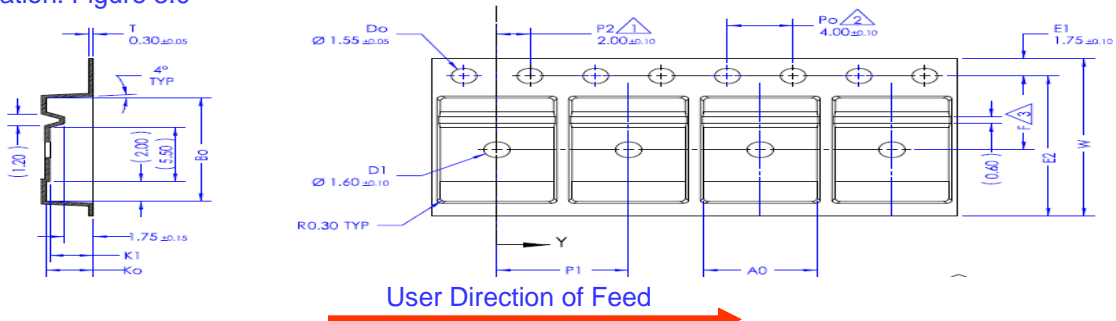
## TO252-3L, JEDEC OPTION AA Tape Leader and Trailer Configuration: Figure 2.0



### NOTES:

- A. ALL DIMENSION ARE IN MILLIMETERS UNLESS OTHERWISE SPECIFIED
- B. DRAWING FILE NAME: PKG-TO252A03REV3
- C. PLASTIC REEL W1 DIMENSION CONTROL LIMITS:  
 8MM REEL = +/-1.0MM AND 12MM REEL AND ABOVE = +/- 1.5MM

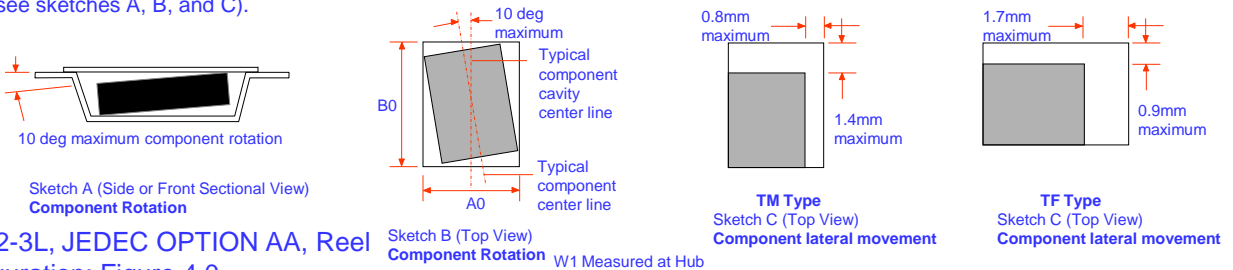
TO252-3L, JEDEC OPTION AA, Embossed Carrier Tape  
 Configuration: Figure 3.0



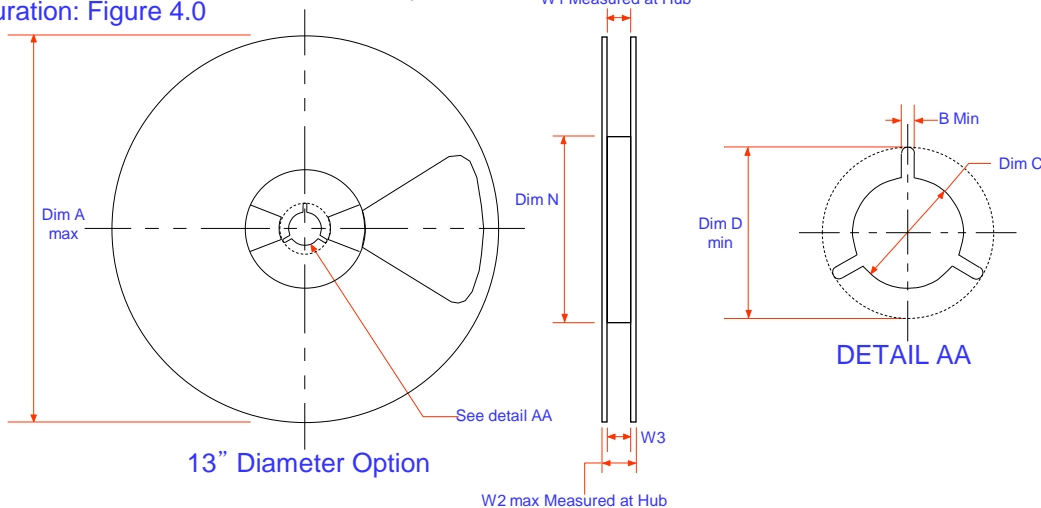
Dimensions are in millimeter

| Pkg type                   | A0               | B0               | W              | D0                     | D1             | E1              | E2           | F               | P1             | P0            | K0              | T               | Wc             | Tc         |
|----------------------------|------------------|------------------|----------------|------------------------|----------------|-----------------|--------------|-----------------|----------------|---------------|-----------------|-----------------|----------------|------------|
| TO252-3L TM / XM<br>(16mm) | 6.90<br>+/-0.10  | 10.50<br>+/-0.10 | 16.0<br>+/-0.3 | 1.50<br>0.10<br>/-0.00 | 1.7<br>+/-0.10 | 1.75<br>+/-0.10 | 14.25<br>min | 7.50<br>+/-0.10 | 8.0<br>+/-0.1  | 4.0<br>+/-0.1 | 2.85<br>+/-0.10 | 0.30<br>+/-0.05 | 13.3<br>+/-0.1 | 0.1<br>max |
| TO252-3L TF / X<br>(16mm)  | 10.80<br>+/-0.10 | 7.20<br>+/-0.10  | 16.0<br>+/-0.3 | 1.5<br>0.1<br>/-0.00   | 1.7<br>+/-0.10 | 1.75<br>+/-0.10 | 14.25<br>min | 7.50<br>+/-0.10 | 12.0<br>+/-0.1 | 4.0<br>+/-0.1 | 2.70<br>+/-0.10 | 0.30<br>+/-0.05 | 13.3<br>+/-0.1 | 0.1<br>max |

Notes: A0, B0, and K0 dimensions are determined with respect to the EIA/Jedec RS-481 rotational and lateral movement requirements (see sketches A, B, and C).



TO252-3L, JEDEC OPTION AA, Reel  
 Configuration: Figure 4.0



Dimensions are in inches and millimeters

| Tape Size | Reel Option | Dim A | Dim B | Dim C        | Dim D | Dim N | Dim W1    | Dim W2 | Dim W3 (LSL-USL) |
|-----------|-------------|-------|-------|--------------|-------|-------|-----------|--------|------------------|
| 16mm      | 13" Dia     | 330   | 1.5   | 13 +0.5/-0.2 | 20.2  | 100   | 16.4 +2/0 | 22.4   | 15.9 - 19.4      |

NOTES:

- A. ALL DIMENSION ARE IN MILLIMETERS UNLESS OTHERWISE SPECIFIED
- B. DRAWING FILE NAME: PKG-TO252A03REV3
- C. PLASTIC REEL W1 DIMENSION CONTROL LIMITS:  
 8MM REEL = +/-1.0MM AND 12MM REEL AND ABOVE = +/- 1.5MM