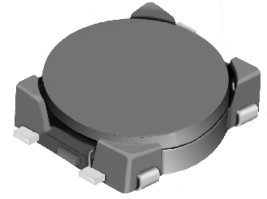
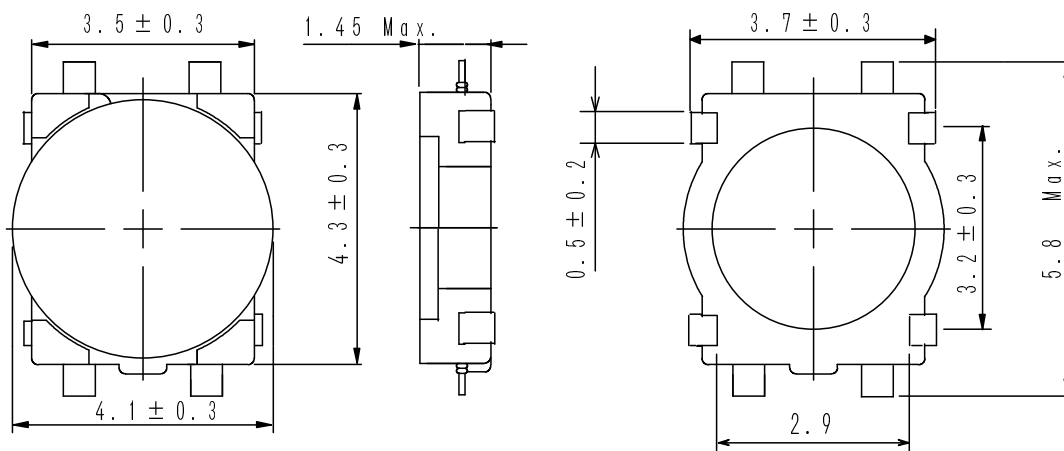
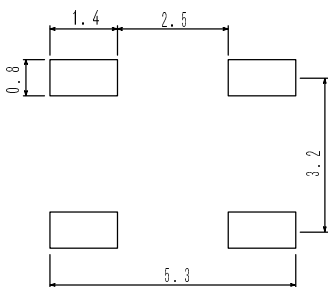
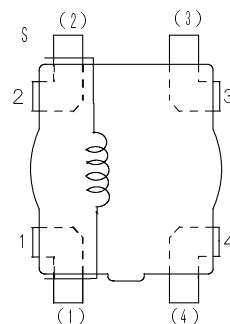


**Type: CMD4D13**
**◆ Product Description**

- 5.8 × 4.4 mm Max.(L × W), 1.45mm Max. Height.
- Inductance Range: 3.3 ~ 150 μH.
- Rated current range: 130 ~ 850mA.
- 4 Terminal pins' type gives a flexible design as inductors or transformers(SEPIC, ZETA circuit).
- In addition to the standards versions used as power inductors shown here, custom designs as transformers(SEPIC, ZETA circuit) and inductors are also available.


**◆ Feature**

- Magnetically unshielded construction.
- Ideally used in portable devices such as Mobilephone, DSC/DVC, MP3, PDA, etc as DC-DC Converter inductors, specially suitable for White LED drive.
- RoHS Compliance.

**◆ Dimensions (mm)**

**◆ Land Pattern (mm)**

**◆ Schematics(Bottom)**


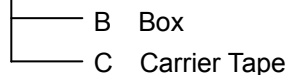
“S” is winding start.

**Type: CMD4D13**
**◆ Specification**

Part No. ※	Stamp	Inductance ( $\mu$ H) 100kHz/1V	D.C.R.(m $\Omega$ ) Max.(Typ.) (at 20°C)	Saturation Current (mA) (at 20°C)※1	Temperature Rise current (mA) ※2
CMD4D13NP-3R3M□	3R3	3.3 $\pm$ 20%	160(123)	1200	850
CMD4D13NP-4R7M□	4R7	4.7 $\pm$ 20%	194(149)	1000	800
CMD4D13NP-6R8M□	6R8	6.8 $\pm$ 20%	276(212)	810	650
CMD4D13NP-100M□	100	10 $\pm$ 20%	335(258)	710	570
CMD4D13NP-150M□	150	15 $\pm$ 20%	508(391)	580	450
CMD4D13NP-220M□	220	22 $\pm$ 20%	766(589)	480	370
CMD4D13NP-330M□	330	33 $\pm$ 20%	1162(894)	370	280
CMD4D13NP-470M□	470	47 $\pm$ 20%	1658(1326)	320	220
CMD4D13NP-680M□	680	68 $\pm$ 20%	2534(2027)	260	180
CMD4D13NP-101M□	101	100 $\pm$ 20%	3304(2643)	210	170
CMD4D13NP-151M□	151	150 $\pm$ 20%	5362(4290)	180	130

**※ Description of Part Name**

CMD4D13NP-3R3M□



※1.Saturation current: The DC current at which the inductance decreases to 90% of it's initial value.

 ※2.Temperature rise current: The DC current at which the temperature rise is  $\Delta t=40^{\circ}\text{C}$ .( $T_a=20^{\circ}\text{C}$ )