



$I_{PN} = 1000 \text{ A}$

Measureable currents are AC, DC, pulsed ...

Identification

Part numbered

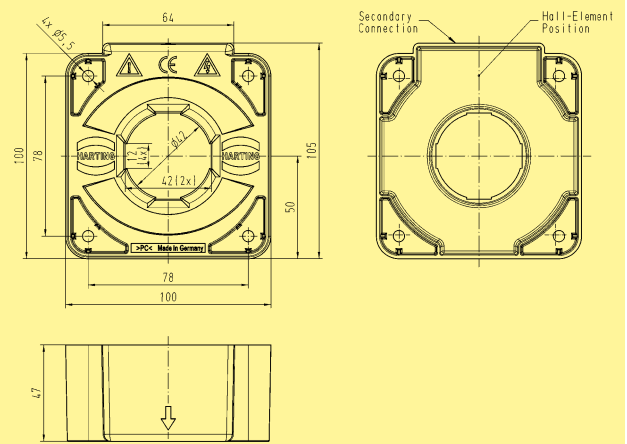
Drawing

Dimensions in mm

HCSR 1000

Sensor fastening:
4 x M5 Steel screws
(recommended fastening torque 4 Nm)

Tolerances $\pm 0.5 \text{ mm}$



HCSR 1000

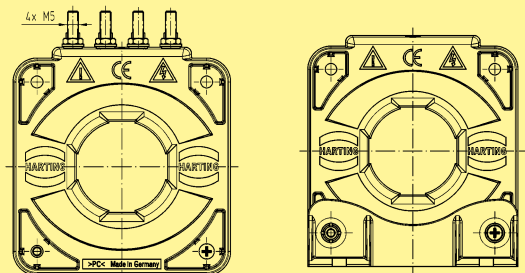
Connections:
Screw terminal with faston; 4pins
Screen connected to separate terminal

without mounting feet

with mounting feet

20 31 100 9101

20 31 100 8101



HCSR 1000

including shielded cable 1000 mm
0.5 mm², stripped with end sleeve

1 - (numbered white strands)

2 M

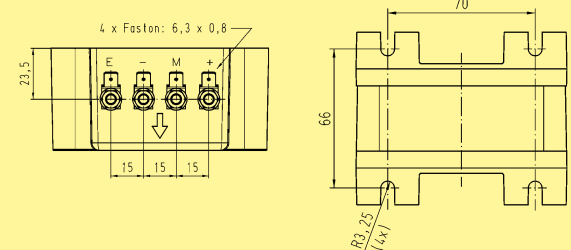
3 +

Internal screen on separate terminal

without mounting feet

with mounting feet

Other secondary connections on request



Sensor with separate cable

