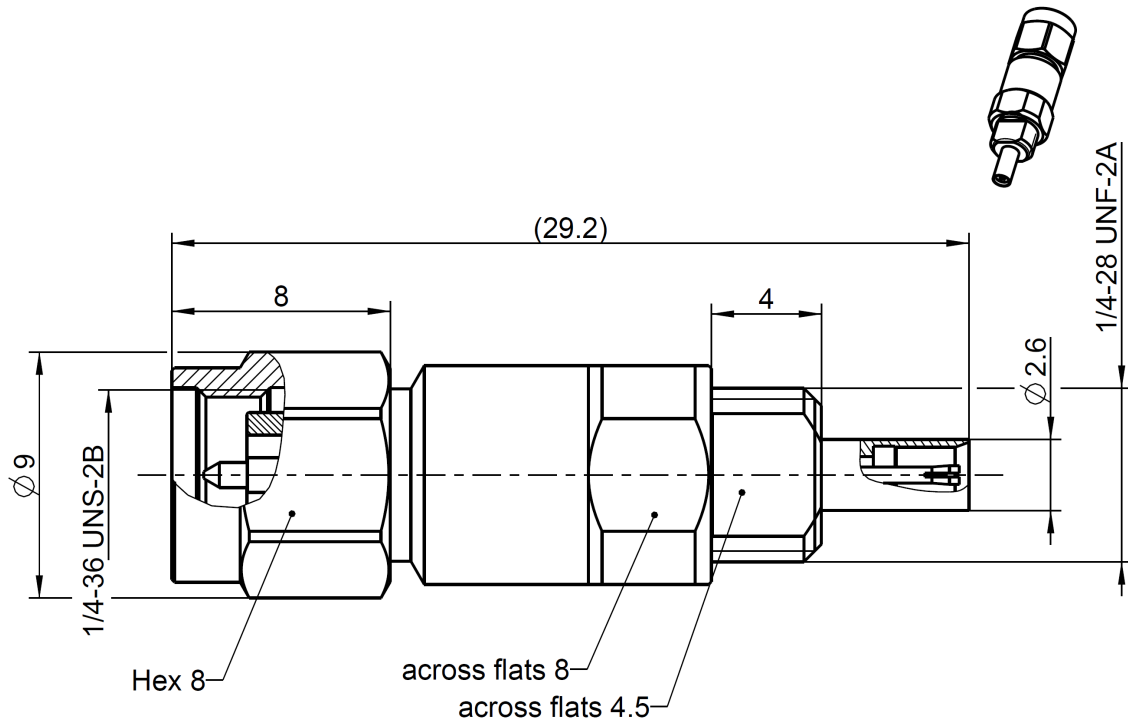


RPC-2.92
 Adaptor
 RPC-2.92 PLUG –
 Mini-Coax 40 GHz JACK

02S123-K00S3



All dimensions are in mm; tolerances according to ISO 2768 m-H

Interface

According to IEC 61169-35
 Mechanically compatible with RPC-3.50 and SMA
 Mini-Coax according to Rosenberger Mini-Coax

Documents

N/A

Material and plating

Connector parts

	Material	Plating
Center contact	CuBe	Gold, min. 1.27 µm, over chemical nickel
Outer contact	Stainless steel	Passivated
Coupling nut	Stainless steel	Passivated
Dielectric 1	PS	
Dielectric 2	PTFE	
Gasket RPC-2.92	Silicone	

Dieses Dokument ist urheberrechtlich geschützt • This document is protected by copyright • Rosenberger Hochfrequenztechnik GmbH & Co. KG

RF_35/05:10/6.0

Technical Data Sheet

Rosenberger

RPC-2.92 Adaptor
RPC-2.92 PLUG –
Mini-Coax 40 GHz JACK

02S123-K00S3

Electrical data

Impedance	50 Ω
Frequency	DC to 40 GHz
Return loss	≥ 26 dB, DC to 18 GHz ≥ 21 dB, 18 GHz to 26.5 GHz ≥ 15 dB, 26.5 GHz to 40 GHz
Insertion loss	≤ 0.04 x √f(GHz) dB
Insulation resistance	≥ 5 GΩ
Center contact resistance RPC-2.92	≤ 3.0 mΩ
Outer contact resistance RPC-2.92	≤ 2.0 mΩ
Center contact resistance Mini-Coax	≤ 10.0 mΩ
Outer contact resistance Mini-Coax	≤ 3.0 mΩ
Test voltage	750 V rms
Working voltage	250 V rms
RF-leakage	≥ 80 dB @ DC to 1 GHz ≥ 60 dB @ 1GHz to 4 GHz

Mechanical data

Mating cycles	≥ 500
Center contact captivation	≥ 20 N
Coupling test torque RPC-2.92	1.70 Nm
Recommended torque RPC-2.92 Mini-Coax	0.80 Nm to 1.10 Nm
Engagement and disengagement force	1 N to 4 N

Environmental data

Temperature range	-40°C to +85°C
Thermal shock	MIL-STD-202, Method 107, Condition B
Corrosion	MIL-STD-202, Method 101, Condition B
Vibration	MIL-STD-202, Method 204, Condition D
Shock	MIL-STD-202, Method 213, Condition I
Moisture resistance	MIL-STD-202, Method 106
RoHS	compliant

Tooling

N/A

Weight

Weight 7.6 g/pce

While the information has been carefully compiled to the best of our knowledge, nothing is intended as representation or warranty on our part and no statement herein shall be construed as recommendation to infringe existing patents. In the effort to improve our products, we reserve the right to make changes judged to be necessary.

Draft	Date	Approved	Date	Rev.	Engineering change number	Name	Date
Martin Moder	25/05/16	Herbert Babinger	10/01/17	200	16-2008	M.Ruf	10/01/17
Rosenberger Hochfrequenztechnik GmbH & Co. KG P.O.Box 1260 D-84526 Tittmoning Germany www.rosenberger.de				Tel. : +49 8684 18-0 Fax : +49 8684 18-499 Email : info@rosenberger.de			Page 2 / 2