

A

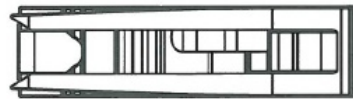
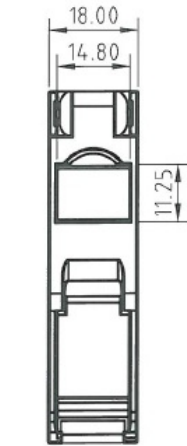
B

C

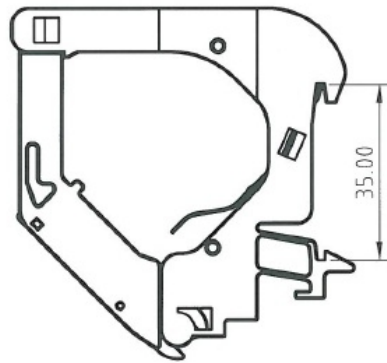
D

ASSEMBLY DIMENSION

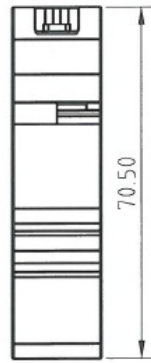
ISOMETRIC VIEW



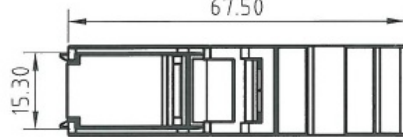
TOP



FRONT



REAR



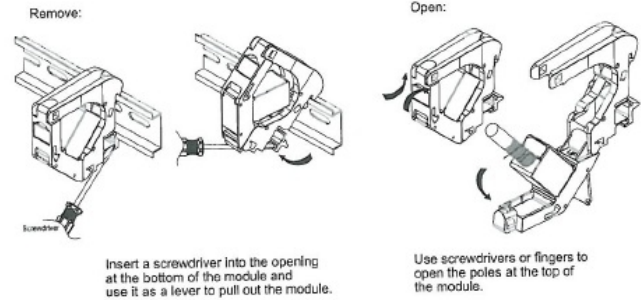
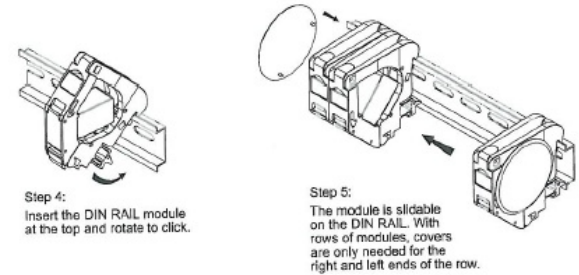
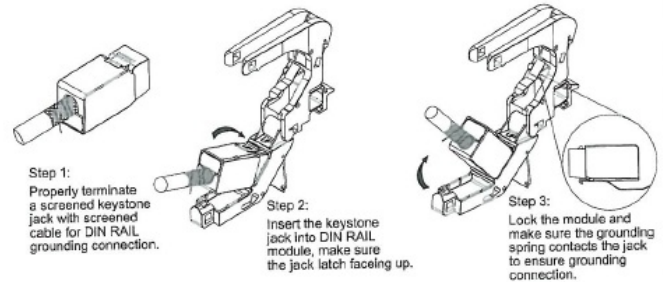
BOTTOM

LEFT SIDE

WINDOW COVER

SPRING CONTACT

DOOR



	All rights reserved Department EC PD - FR	All Dimensions in mm Original Size DIN A4		Scale 1:1	Free size tol.	Ref.
		HARTING Electronics GmbH D-32339 Espelkamp	Created by DOUGE	Inspected by BAGDIKIAN	Standardisation HOFFMANN	Date 2013-04-23
Title RJ1 DIN rail outlet for keystone jacks						Doc-Key / ECM-Nr. 100536780/UGD/001/B 500000061168
Type TB		Number 09458510000		Rev. B	Page 1/1	