

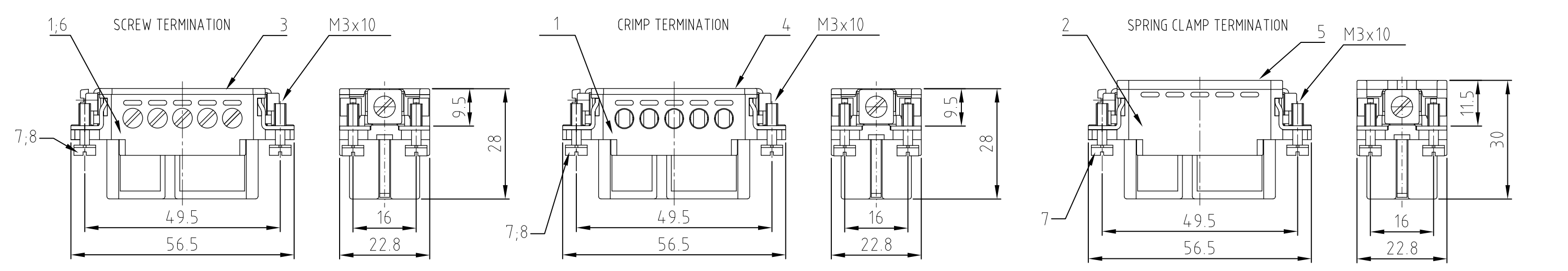
4

3

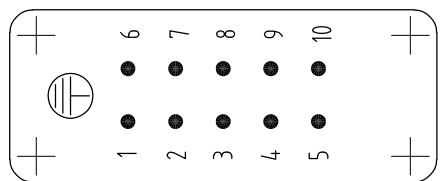
2

1

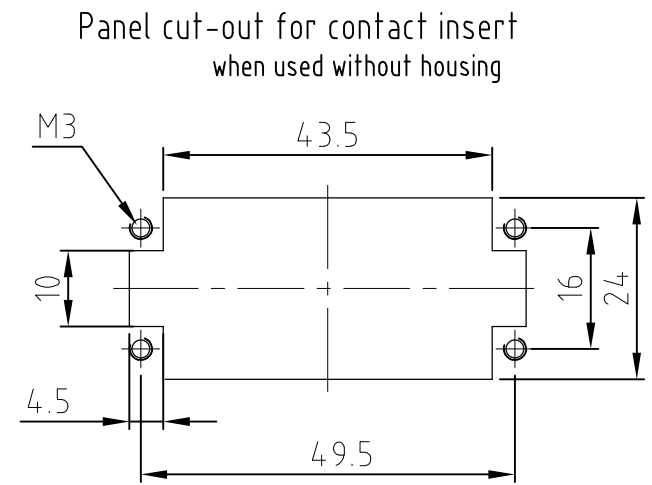
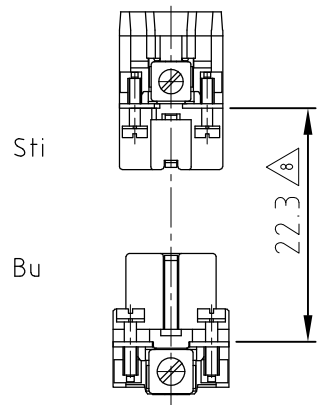
COPYRIGHT 1997 BY AMP INCORPORATED. ALL RIGHTS RESERVED. ALLE RECHTE VORBEHALTEN.	REVISIONS AENDERUNGEN			DATE	DWN	APVD
	P	LTR	DESCRIPTION BESCHREIBUNG	25.10.2005	SR	ST



Contact arrangement / view from termination side



Assembling instruction
 8 DISTANCE FOR SAFETY CONTACT MARKING MAX. 24 mm



- NOTES
- 1 SUITABLE CRIMP CONTACTS: SERIES HE/HA OUTER DIMENSIONS OF INSULATION: MAX. Ø3,2 MM
 - 2 SUITABLE HOOD SIZE 2: SERIES HA; HD SUITABLE INSERTION AND EXTRACTION TOOL: SCREWDRIVER 0,5x3 DIN 5264
 - 3 Strip lenght: Screw conection 10mm Spring clamp conection 10mm Crimp conection 7.5mm
 - 4 STANDARDS: DIN EN 61984; DIN EN 60664-1
 - 5 PACKAGING 10 SETS IN A CARTON, PRE-MOUNTED
 - 6 SPECIAL PACKAGING 200 PIECES IN A KANN-BAN BOT
 - 7 SPECIAL PACKAGING 100 PIECES IN A KANN-BAN BOT

			4	4				fixing screw	stainl. steel	blank/even		8	M3x10
4	4		4	4	4	4		fixing screw	Stahl/steel	nickel plated	blue	7	M3x10
			1				1	socket insert screw	PBT		light beige	6	with AU contact
							1	cover spring strain clip	PBT		light beige	5	
1	1	1	1	1			1	cover crimp	PBT		light beige	4	
							1	cover screw	PBT		light beige	3	
							1	socket insert spring strain clip	PBT		light beige	2	
1	1	1	1	1	1	1	1	socket insert crimp&screw	PBT		light beige	1	
1-2	1-0	0-9	0-8	0-4	0-6	0-5	7-1	2-3	1-1				
DESCRIPTION / BENENNUNG									MATERIAL	Surface	COLOR / FARBE	ITEM NO. POS.	NOTES

ORDERING TEXT / BESTELLTEXT	THIS DRAWING IS A CONTROLLED DOCUMENT FOR AMP INCORPORATED. IT IS SUBJECT TO CHANGE AND THE CONTROLLING ENGINEERING ORGANIZATION SHOULD BE CONTACTED FOR THE LATEST REVISION. DIESES ZEICHNUNGSDOKUMENT WIRD DURCH AMP INCORPORATED KONTROLLIERT. AENDERUNGEN, DIE DEM TECHNISCHEN FORTSCHRITT DIENEN, SIND VORBEHALTEN. DEN JEWEILS LETZTGUELTIGEN AENDERUNGSSTAND ERFAHREN SIE AUF ANFRAGE.		DWN Schneider 08.02.2000	AMP HTS Elektrotechnik 53819 Neunkirchen, Germany	
	DIMENSIONS: DIMENSIONEN: mm		CHK Schweiger 08.02.2000		
	TOLERANCES UNLESS OTHERWISE SPECIFIED: ALLGEMEINTOLERANZEN		APVD -		NAME Socket insert
	0 PLC #- 1 PLC #- 2 PLC #- 3 PLC #- ANGLES / WINKEL #- FINISH / OBERFLAECHE / FARBE		PRODUCT SPEC 108-74007 APPLICATION SPEC 114-74009		BUCHSENEINSATZ HA.10.BU
MATERIAL		WEIGHT GEWICHT	SIZE A3 CAGE CODE 00779 DRAWING NO. ZEICHNUNGS-NR. C-1103415	RESTRICTED TO NUR FUER -	
CUSTOMER DRAWING		/KUNDENZEICHNUNG MASSSTAB 1:1 BLATT 1 OF VON 1 REV D1			