

NEW

# High Current Connector

## PS2 Series



### ■ Features

#### 1. Power/Signal Hybrid Connector

The Hybrid design saves space by combining power

and signal contacts together in one unit with dedicated power contacts to handle 100, 200 or 300 Amps.

#### 2. Floating Structure

The structure allows up to ±2.5 mm of float in the X and Y directions, which makes mating easier even when the mating position is not clearly visible.

#### 3. Sequential Contact System

This series utilizes sequential contacts, the power contacts mate before the signal contacts. This prevents incomplete mating and also prevents hot swapping.

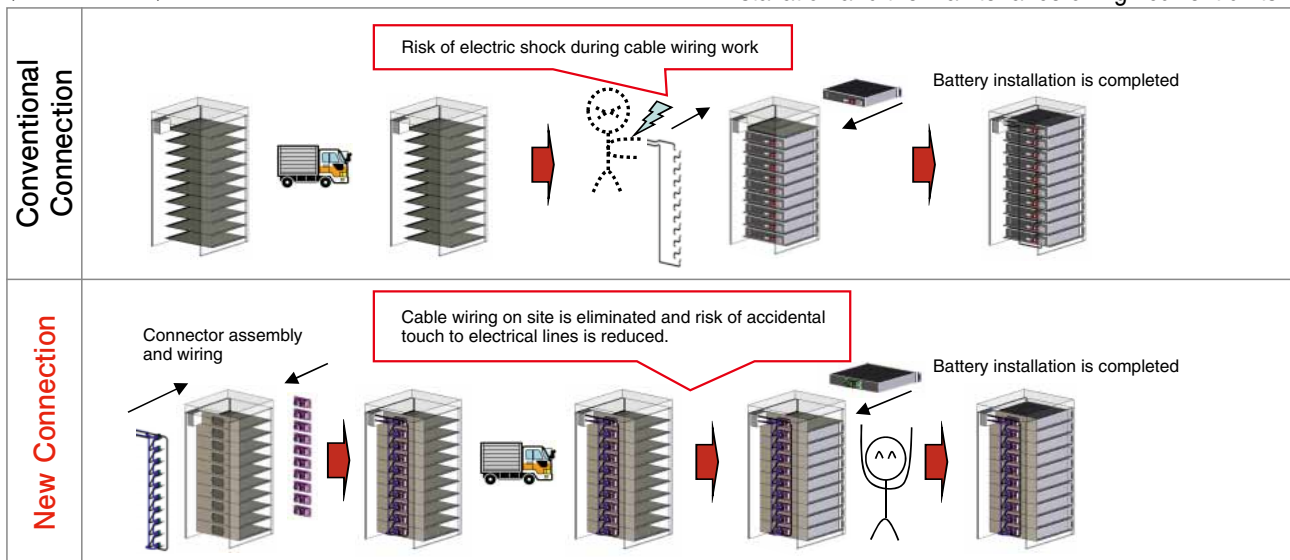
#### 4. Finger Protection Structure

For added safety, the plug side (battery side) is designed to prevent shock hazard and provides for more user safety and security.

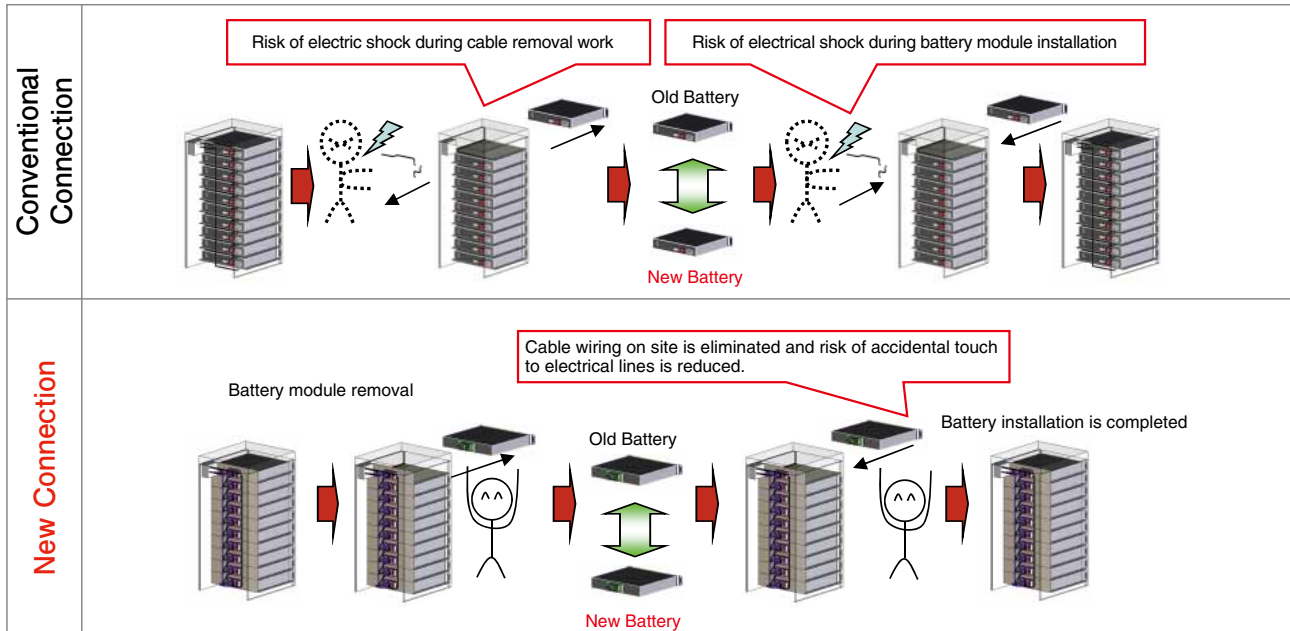
#### 5. Plug-in Design

Its unique plug-in design provides enhanced safety features, reduced production costs related to its installation and the maintenance of high current units.

### (Installation)



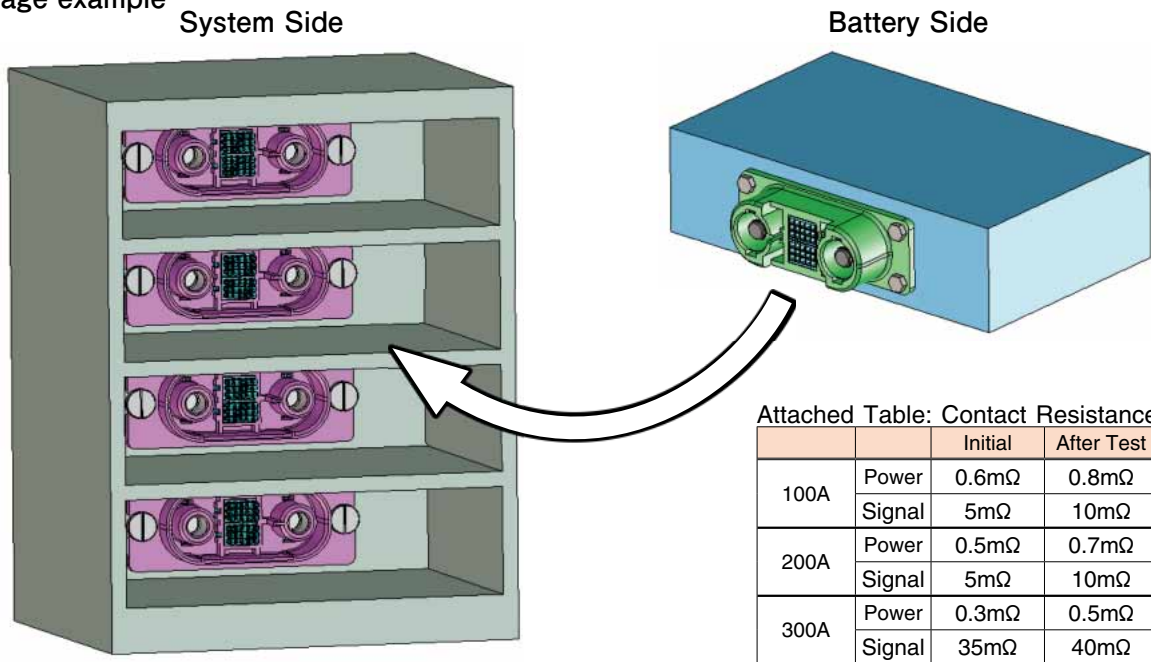
### (Maintenance)



## Applications

### Storage Battery, UPS

Usage example



## Product Specifications

Ratings	—	Power Part	Signal Part	Operating Temp. Range
	Current	300 A	5A	-40~105℃
		200 A		
		100 A		
Voltage	1,000 V	100V	Storage Temp. Range -55~60℃	

Item	Specifications	Conditions
1. Contact resistance	Attached table	Measured at DC 1 A Measured at DC 100 mA
2. Insulation resistance	5,000 MΩ or more	Measured at DC 250 V
3. Withstand voltage	No flashover or breakdown	Power: Apply AC 2,000 V for one minute Signal: Apply AC 1,000 V for one minute
4. Durability	Attached table	50 mating cycles
5. Shock resistance	No electrical discontinuity of 10 μs or more	Acceleration 490 m/s <sup>2</sup> , duration 11 ms, half-sine wave, 3 times each for each of the 3 axes.
6. Vibration resistance	No electrical discontinuity of 10 μs or more	10 cycles in each of 3 axial directions at frequency 10-55 Hz, half amplitude 0.75 mm
7. Temperature cycles	Attached table Minimum of 1,000 MΩ	Temperature: -40 → 105℃ Time: 30 → 30 min
8. Salt water spray	No significant corrosion	5% salt water spray concentration while keeping samples at 35℃ for 48 hours.

## Materials

### Receptacle

Parts	Materials	Color/Treatment	Remarks
Insulation case	Synthetic resin	Black	UL94V-0
Power contact	Brass/Copper alloy	Silver plating	—
Contact spring	Copper alloy	Silver plating	—
Rotation stopper	Synthetic resin	Black	UL94V-0
Crimp case	Synthetic resin	Black	UL94V-0
Signal contact	Copper alloy	Gold plating	—
Floating screw	Stainless steel/Steel	—/Trivalent chrome	—

### Plug

Parts	Materials	Color/Treatment	Remarks
Insulation case	Synthetic resin	Black	UL94V-0
Power contact	Brass/Copper alloy	Silver plating	—
Rotation stopper	Synthetic resin	Black	UL94V-0
Cap	Synthetic resin	Black	UL94V-0
Crimp case	Synthetic resin	Black	UL94V-0
Signal contact	Copper alloy	Gold plating	—

## Product Number Structure

Refer to the charts below for determining specific part number characteristics.

Please select connectors listed in this catalog when placing orders and be sure to check the latest delivery specifications at the time of ordering the product.

### Connector

**PS2 - 2 WP / 6C / 6C**  
1 2 3 4 5 6

### Crimp Case

**PS2 - 6 PC**  
1 7 8

### Crimp Contact

**PS2 - 1618 P C F A**  
1 9 4 10 11 12

1 Series name
2 No. of power contacts
3 R: 100A V: 200A W: 300A
4 P: Male S: Female
5 Signal contact block 1
6 Signal contact block 2
7 No. of signal contacts
8 PC: Male crimp case SC: Female crimp case
9 Applicable wires of signal contact 16-18 AWG
10 Crimp contact
11 F: Reel contacts None: Loose piece contacts
12 Gold plating

## List of Combinations

### 300 A type

Male: PS2-2WP/6C/6C + PS2-6PC + PS2-1618PCFA  
 Female: PS2-2WS/6C/6C + PS2-6SC + PS2-1618SCFA

### 200 A type

Male: PS2-2VP/42C +  $\begin{cases} \text{PS2-18PC} \\ \text{PS2-42PC} \end{cases}$  +  $\begin{cases} \text{PQ50SA-1822PCFA} \\ \text{PQ50SA-2428PCFA} \\ \text{PQ50SA-1822PCFA} \\ \text{PQ50SA-2428PCFA} \end{cases}$

Female: PS2-2VS/42C +  $\begin{cases} \text{PS2-18SC} \\ \text{PS2-42SC} \end{cases}$  +  $\begin{cases} \text{PQ50S-1822SCFA} \\ \text{PQ50S-2428SCFA} \\ \text{PQ50S-1822SCFA} \\ \text{PQ50S-2428SCFA} \end{cases}$

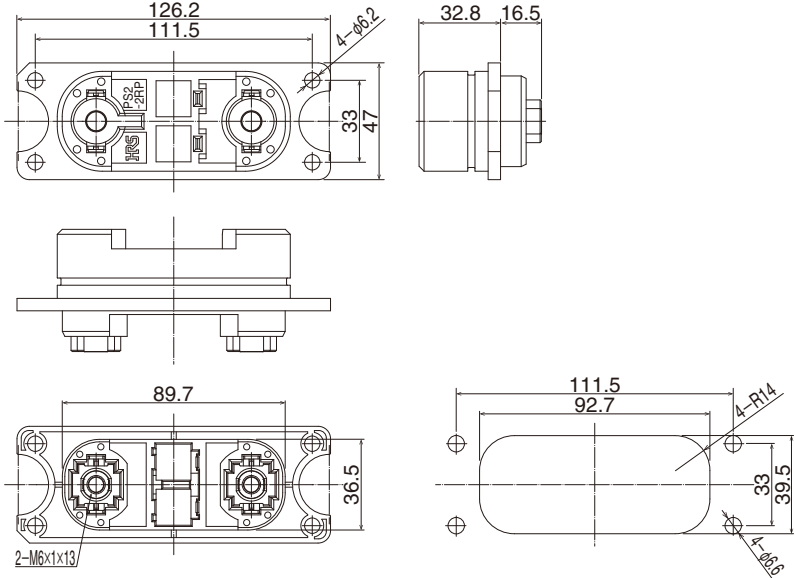
### 100 A type

Male: PS2-2RP/9C/9C + PS2-9PC +  $\begin{cases} \text{PQ50SA-1822PCFA} \\ \text{PQ50SA-2428PCFA} \end{cases}$   
 Female: PS2-2RS/9C/9C + PS2-9SC +  $\begin{cases} \text{PQ50S-1822SCFA} \\ \text{PQ50S-2428SCFA} \end{cases}$

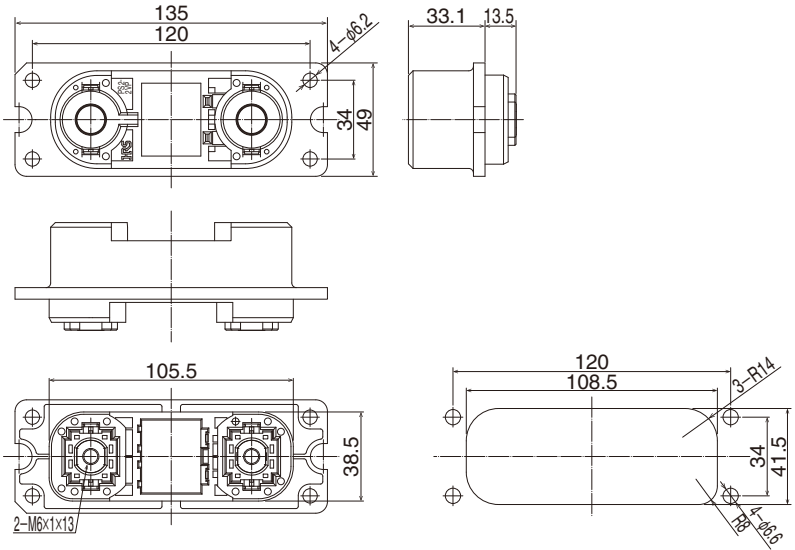
## Plug

Current	Part Number	HRS No.	Sales Unit	RoHS
100A	PS2-2RP/9C/9C	CL236-1036-0-00	Each	○
200A	PS2-2VP/42C	CL236-1060-4-00		○
300A	PS2-2WP/6C/6C	CL236-1032-9-00		○

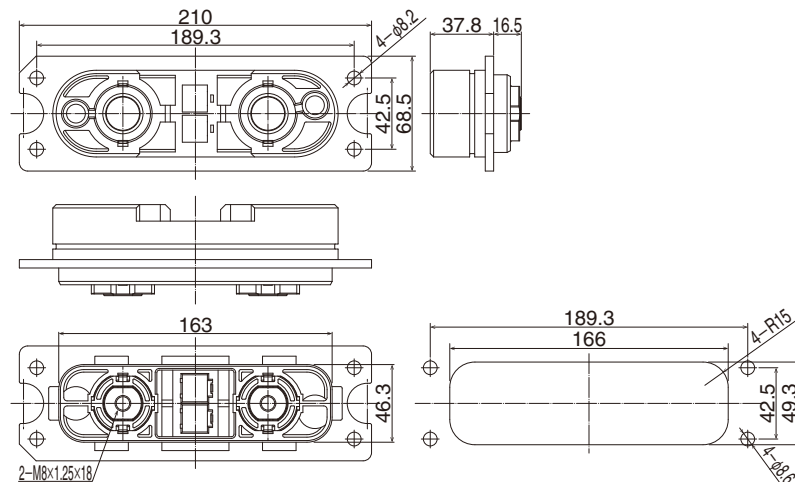
### ◇100A



### ◇200A



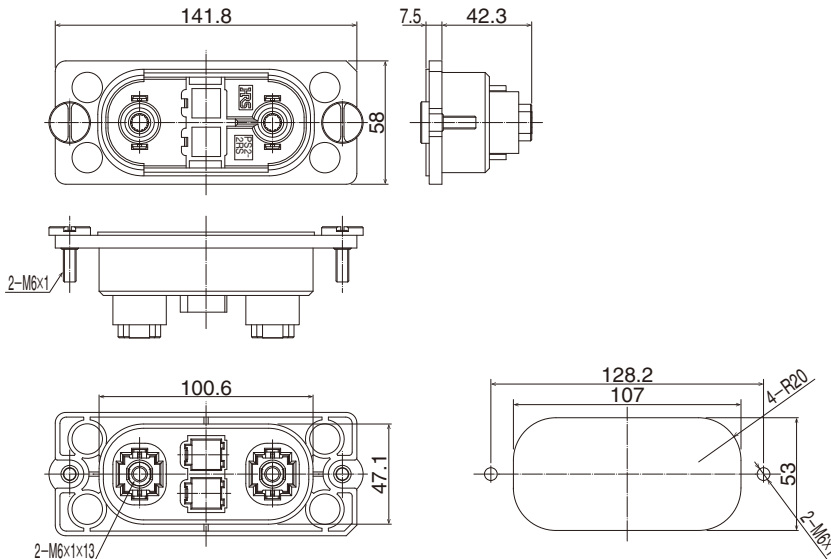
### ◇300A



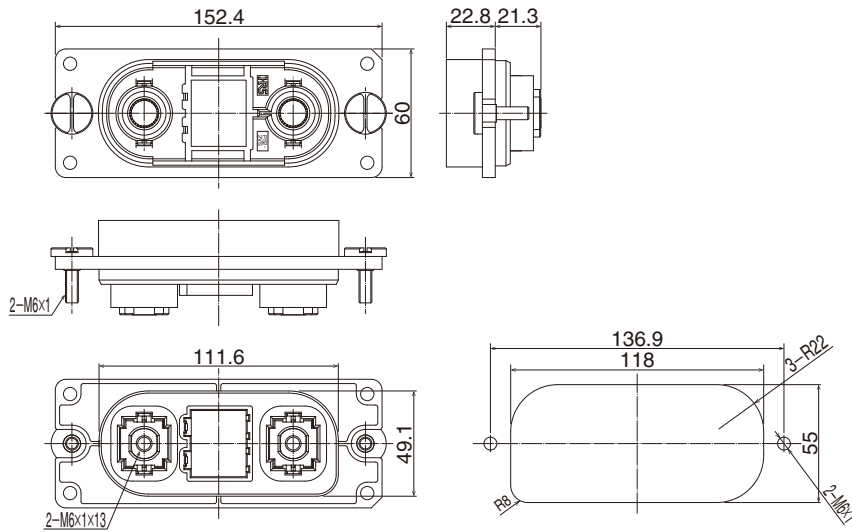
## Receptacle

Current	Part Number	HRS No.	Sales Unit	RoHS
100A	PS2-2RS/9C/9C	CL236-1037-2-00	Each	○
200A	PS2-2VS/42C	CL236-1046-3-00		○
300A	PS2-2WS/6C/6C	CL236-1033-1-00		○

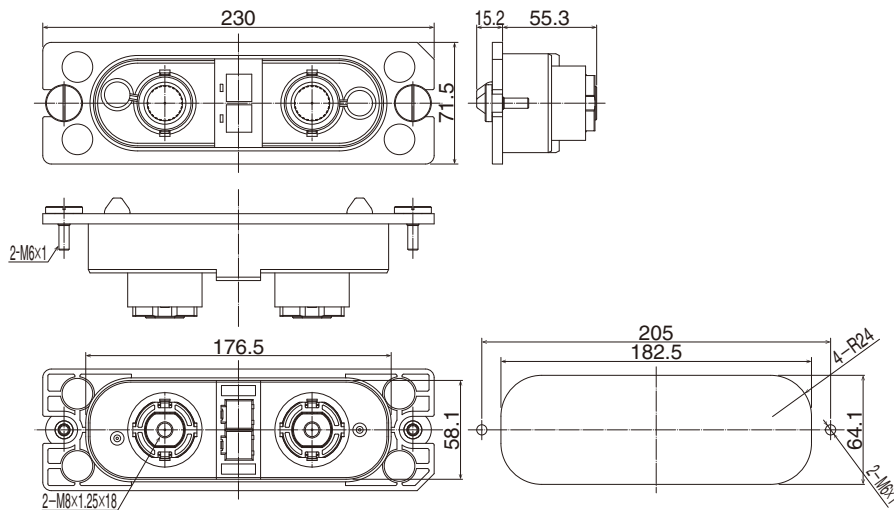
### ◇100A



### ◇200A



### ◇300A



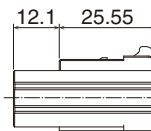
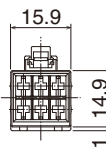
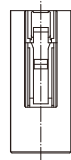
## ■ Crimp Contact Housing

Part Number	HRS No.	Sales Unit	RoHS
PS2-6PC	CL236-1034-4-00	100 pieces per bag	○
PS2-6SC	CL236-1035-7-00		○
PS2-9PC	CL236-1038-5-00		○
PS2-9SC	CL236-1039-8-00		○

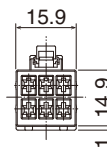
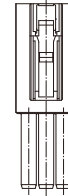
Part Number	HRS No.	Sales Unit	RoHS
PS2-18PC	CL236-1049-1-00	50 pieces per bag	○
PS2-18SC	CL236-1050-0-00		○
PS2-42PC	CL236-1047-6-00		○
PS2-42SC	CL236-1048-9-00		○



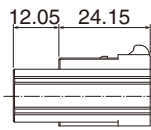
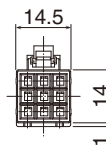
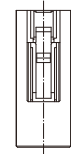
● PS2-6PC



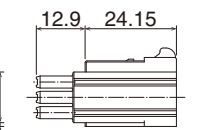
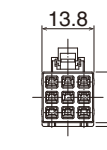
● PS2-6SC



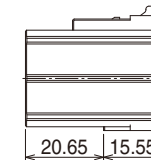
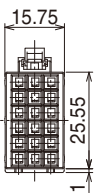
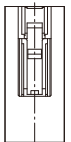
● PS2-9PC



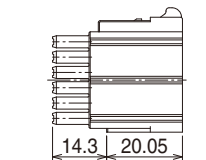
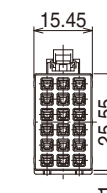
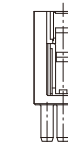
● PS2-9SC



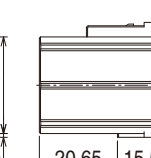
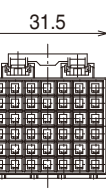
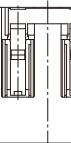
● PS2-18PC



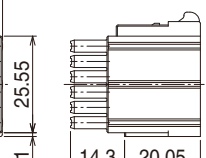
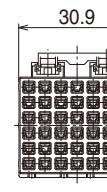
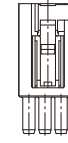
● PS2-18SC



● PS2-42PC



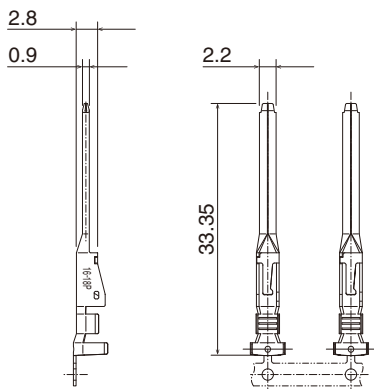
● PS2-42SC



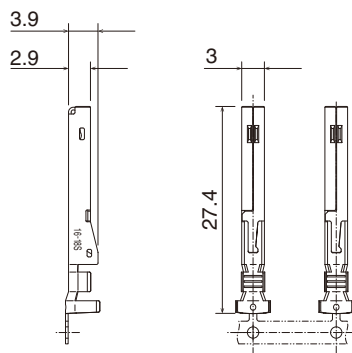
## Crimp Contact

Part number	HRS No.	Sales Unit	RoHS
PS2-1618PCFA	CL236-1028-1-00	3500 per reel	○
PS2-1618PCA	CL236-1051-3-00	100 pieces per bag	○
PS2-1618SCFA	CL236-1029-4-00	3500 per reel	○
PS2-1618SCA	CL236-1052-6-00	100 pieces per bag	○
PQ50SA-1822PCFA	CL236-2029-0-00	6000 per reel	○
PQ50SA-1822PCA	CL236-2048-4-00	100 pieces per bag	○
PQ50SA-2428PCFA	CL236-2030-9-00	6000 per reel	○
PQ50SA-2428PCA	CL236-2049-7-00	100 pieces per bag	○
PQ50S-1822SCFA	CL236-2026-1-00	6000 per reel	○
PQ50S-1822SCA	CL236-2050-6-00	100 pieces per bag	○
PQ50S-2428SCFA	CL236-2028-7-00	6000 per reel	○
PQ50S-2428SCA	CL236-2051-9-00	100 pieces per bag	○

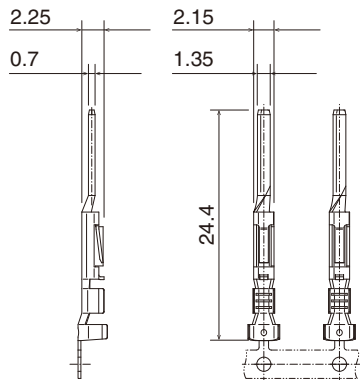
### PS2-1618PCFA



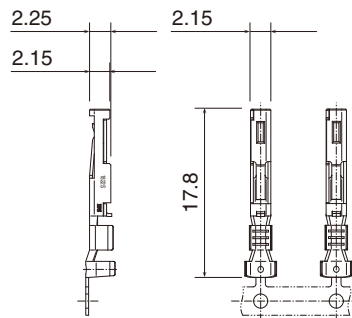
### PS2-1618SCFA



### PQ50SA-1822PCFA 2428



### PQ50S-1822SCFA 2428



**USA:**

**HIROSE ELECTRIC (U.S.A.), INC. Headquarters**  
2688 Westhills Court, Simi Valley, CA 93065-6235  
Phone : +1-805-522-7958  
Fax : +1-805-522-3217  
<http://www.hiroseusa.com>

**USA:**

**HIROSE ELECTRIC (U.S.A.), INC. San Jose Office**  
3255 Scott Boulevard, Building 7, Suite 101  
Santa Clara, CA 95054  
Phone : +1-408-253-9640  
Fax : +1-408-253-9641  
<http://www.hiroseusa.com>

**USA:**

**HIROSE ELECTRIC (U.S.A.), INC. Detroit Office (Automotive)**  
37677 Professional Center Drive, Suite #100C  
Livonia, MI 48154  
Phone : +1-734-542-9963  
Fax : +1-734-542-9964  
<http://www.hiroseusa.com>

**THE NETHERLANDS:**

**HIROSE ELECTRIC EUROPE B.V.**  
Hogehillweg #8 1101 CC Amsterdam Z-O  
Phone : +31-20-6557460  
Fax : +31-20-6557469  
<http://www.hiroseeurope.com>

**GERMANY:**

**HIROSE ELECTRIC EUROPE B.V. German Branch**  
Herzog-Carl-Strasse 4 D-73760 Ostfildern  
(Scharnhauser Park)  
Phone : +49-711-4560-02-1  
Fax : +49-711-4560-02-299  
<http://www.hirose.de>

**UNITED KINGDOM:**

**HIROSE ELECTRIC EUROPE B.V. UK Branch**  
22 Vincent Avenue, Crownhill Business  
Centre, Crownhill, Milton Keynes, MK8 0AB  
Phone : +44-1908-305750  
Fax : +44-1908-305768  
<http://www.hirose.co.uk>

**CHINA:**

**HIROSE ELECTRIC TRADING (SHANGHAI) CO., LTD.**  
1601, Henderson Metropolitan, NO.300, East Nanjing  
Road, Huangpu District, Shanghai, China 200001  
Phone : +86-21-6391-3355  
Fax : +86-21-6391-3335  
<http://www.hirose-china.com.cn>

**CHINA:**

**HIROSE ELECTRIC TRADING (SHANGHAI) CO., LTD. Beijing Branch**  
A1001, Ocean International Center, Building 56# East 4th  
Ring Middle Road, Chao Yang District, Beijing, 100025  
Phone : +86-10-5165-9332  
Fax : +86-10-5908-1381  
<http://www.hirose-china.com.cn>

**CHINA:**

**HIROSE ELECTRIC TECHNOLOGIES (SHENZHEN) CO., LTD.**  
Room 09-13, 19/F, Office Tower Shun Hing Square, Di Wang Commercial Centre  
5002, ShenNanDong Road, ShenZhen City, Guangdong Province, 518008  
Phone : +86-755-8207-0851  
Fax : +86-755-8207-0873  
<http://www.hirose-china.com.cn>

**HONG KONG:**

**HIROSE ELECTRIC HONGKONG TRADING CO., LTD.**  
Room 1001, West Wing, Tsim Sha Tsui Centre, 66  
Mody Road, Tsim Sha Tsui East, Kowloon, Hong Kong  
Phone : +852-2803-5338  
Fax : +852-2591-6560  
<http://www.hirose-hongkong.com.hk>

**TAIWAN:**

**HIROSE ELECTRIC TAIWAN CO., LTD.**  
103 8F, No.87, Zhengzhou Rd., Taipei  
Phone : +886-2-2555-7377  
Fax : +886-2-2555-7350  
<http://www.hirose-taiwan.com.tw>

**KOREA:**

**HIROSE KOREA CO., LTD.**  
1261-10, Jeoungwhang-Dong, Shihung-City,  
Kyunggi-Do 429-450  
Phone : +82-31-496-7000, 7124  
Fax : +82-31-496-7100  
<http://www.hirose.co.kr>

**SINGAPORE:**

**HIROSE ELECTRIC SINGAPORE PTE. LTD.**  
10 Anson Road #26-1 International Plaza  
079903  
Phone : +65-6324-6113  
Fax : +65-6324-6123  
<http://www.hirose-singapore.com.sg>

**INDIA:**

**HIROSE ELECTRIC SINGAPORE PTE. LTD. Bangalore Liaison office**  
Unit No.03, Ground Floor, Explorer Building International Tech  
Park Whitefield Road, Bangalore 560066 Karnataka, India  
Phone : +65-6324-6113  
Fax : +65-6324-6123  
<http://www.hirose-singapore.com.sg>

**INDIA:**

**HIROSE ELECTRIC SINGAPORE PTE. LTD Delhi Liaison Office**  
Suite No. 606 5th Floor SB Tower 1A/1 Sector  
16 A Filmcity Noida 201301 Uttar Pradesh-India  
Phone : +91-120-4804917  
Fax : +91-120-4804949  
<http://www.hirose.com/sg/>

**MALAYSIA:**

**HIROSE ELECTRIC SINGAPORE PTE. LTD (Representative office)**  
1-10-07, Suntech @ Penang Cybercity (1164), Lintang  
Mayang Pasir 3, 11950, Bayan Baru, Penang, Malaysia.  
Phone : +604-619-2564  
Fax : +604-619-2574  
<http://www.hirose.com/sg/>

**HIROSE ELECTRIC CO., LTD.**

6-3, Nakagawa Chuoh-2-Chome, Tsuzuki-Ku, Yokohama-Shi 224-8540, JAPAN  
TEL: +81-45-620-3526 Fax: +81-45-591-3726  
<http://www.hirose.com>  
<http://www.hirose-connectors.com>