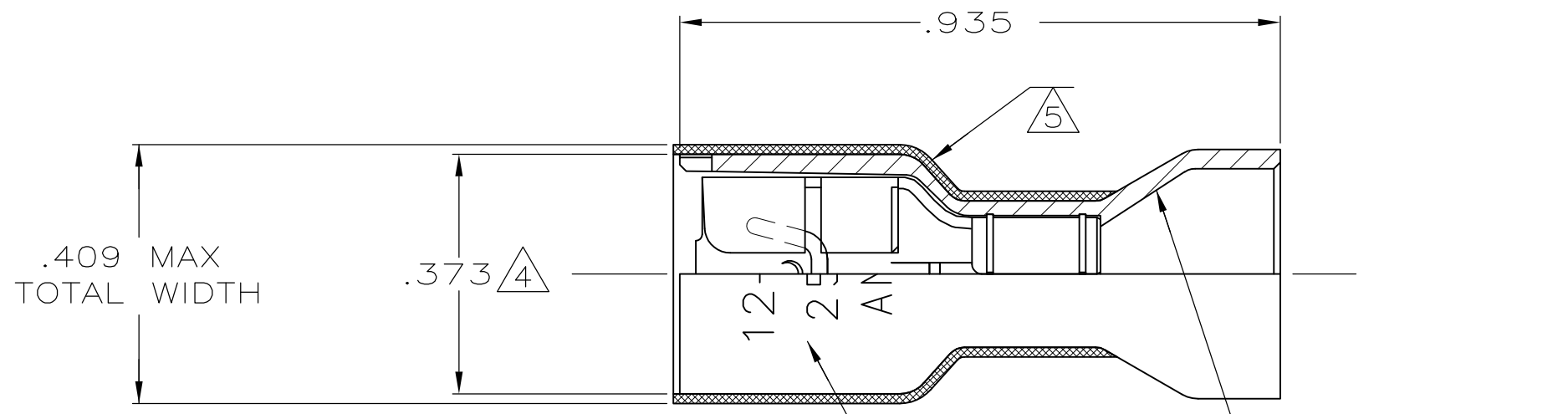
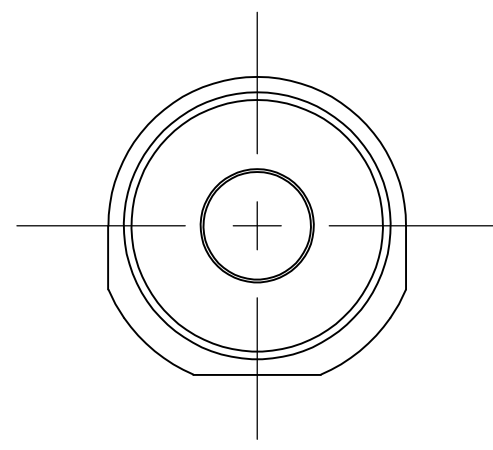
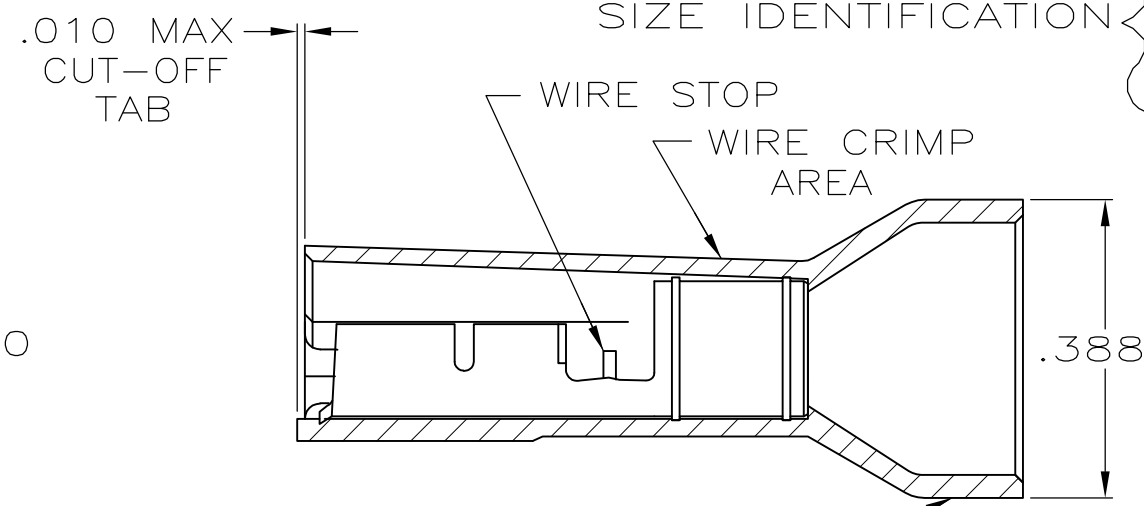
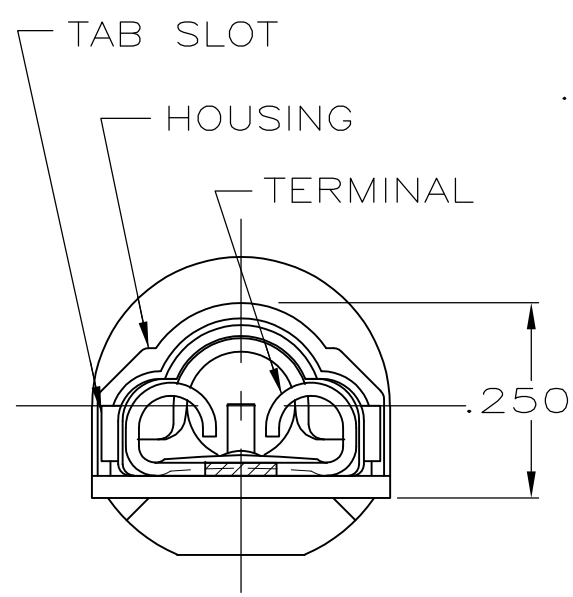


THIS DRAWING IS UNPUBLISHED. RELEASED FOR PUBLICATION
 © COPYRIGHT - By - ALL RIGHTS RESERVED.

LOC	DIST	REVISIONS			
P	LTR	DESCRIPTION	DATE	DWN	APVD
AF	50	J	REVISED PER ECR-12-005303	24JUL12	KH KR



- 1 MATES WITH .032±.001x.250 TAB
- 2 WIRE STRIP LENGTH .312
- 3 INSULATION SIZE .320 MAX DIA
- △4 DIMENSION DOES NOT INCLUDE TRIM BURR
- △5 .015 MAX CARRIER TRIM BURR PER SIDE IS ALLOWABLE IN THE SHADED AREA



INSULATION GUIDE

HOUSING: NYLON, COLOR-YELLOW TRANSLUCENT	4-520448-2
RECEPTACLE: #3 HARD BRASS, TIN	
MATERIAL & FINISH	PART NO

THIS DRAWING IS A CONTROLLED DOCUMENT.		DWN P FORTNEY 11/4/88	TE Connectivity RECEPTACLE ASSEMBLY, ULTRA-FAST, LOOSE PIECE .250 SERIES, 12-10 AWG		
DIMENSIONS: INCHES		CHK MS FEHER 11/7/88			
TOLERANCES UNLESS OTHERWISE SPECIFIED:		APVD K RANDOLPH 11/7/88			
0 PLC ± - 1 PLC ± - 2 PLC ± - 3 PLC ± .015 4 PLC ± - ANGLES ± -		NAME			
MATERIAL SEE TABLE		FINISH SEE TABLE	PRODUCT SPEC 108-2043	APPLICATION SPEC 114-2035	RESTRICTED TO
CUSTOMER DRAWING			WEIGHT -	SIZE A3	CAGE CODE 00779
			DRAWING NO C-520448	SCALE 4:1	SHEET 1 OF 1
			REV J		