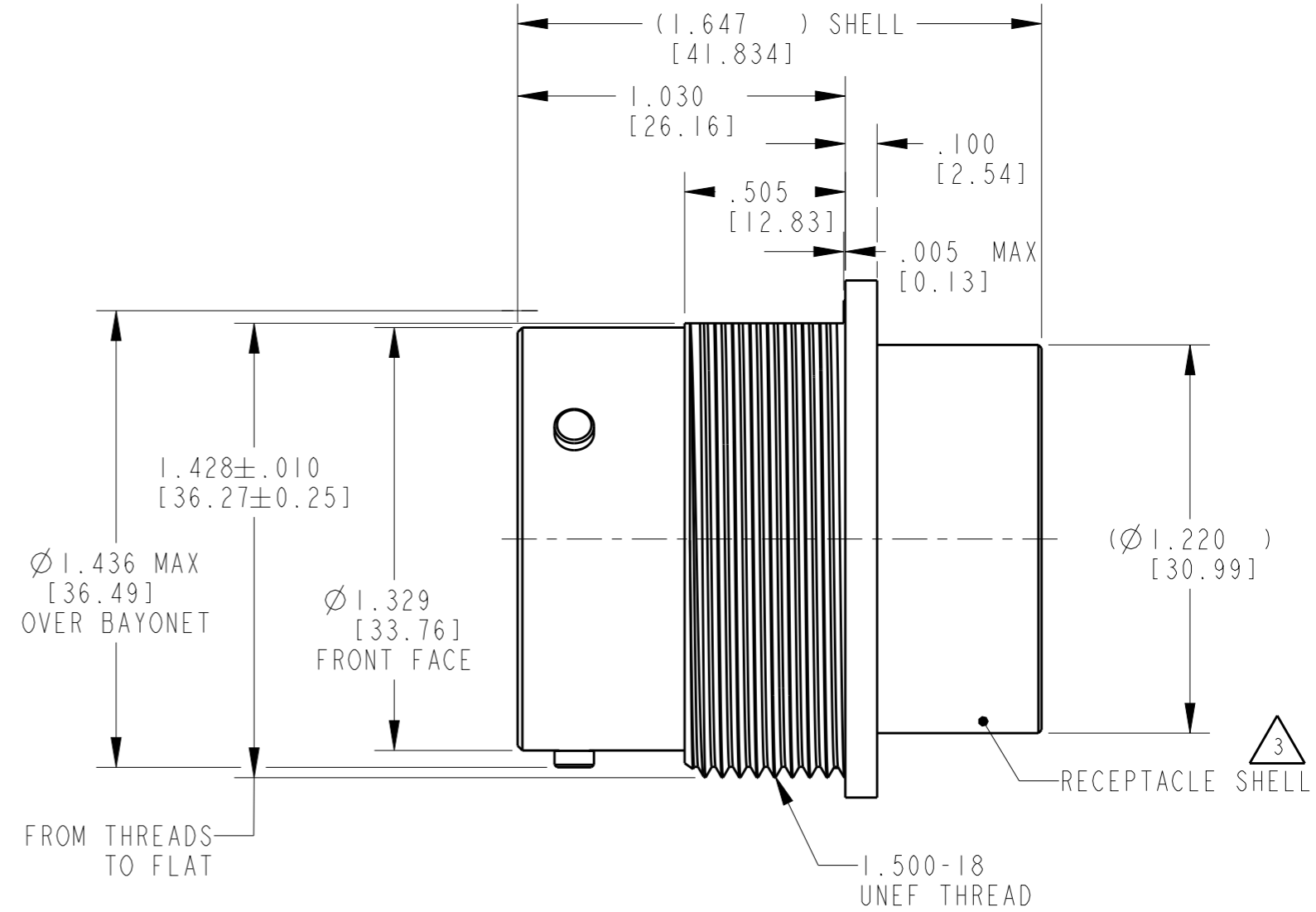
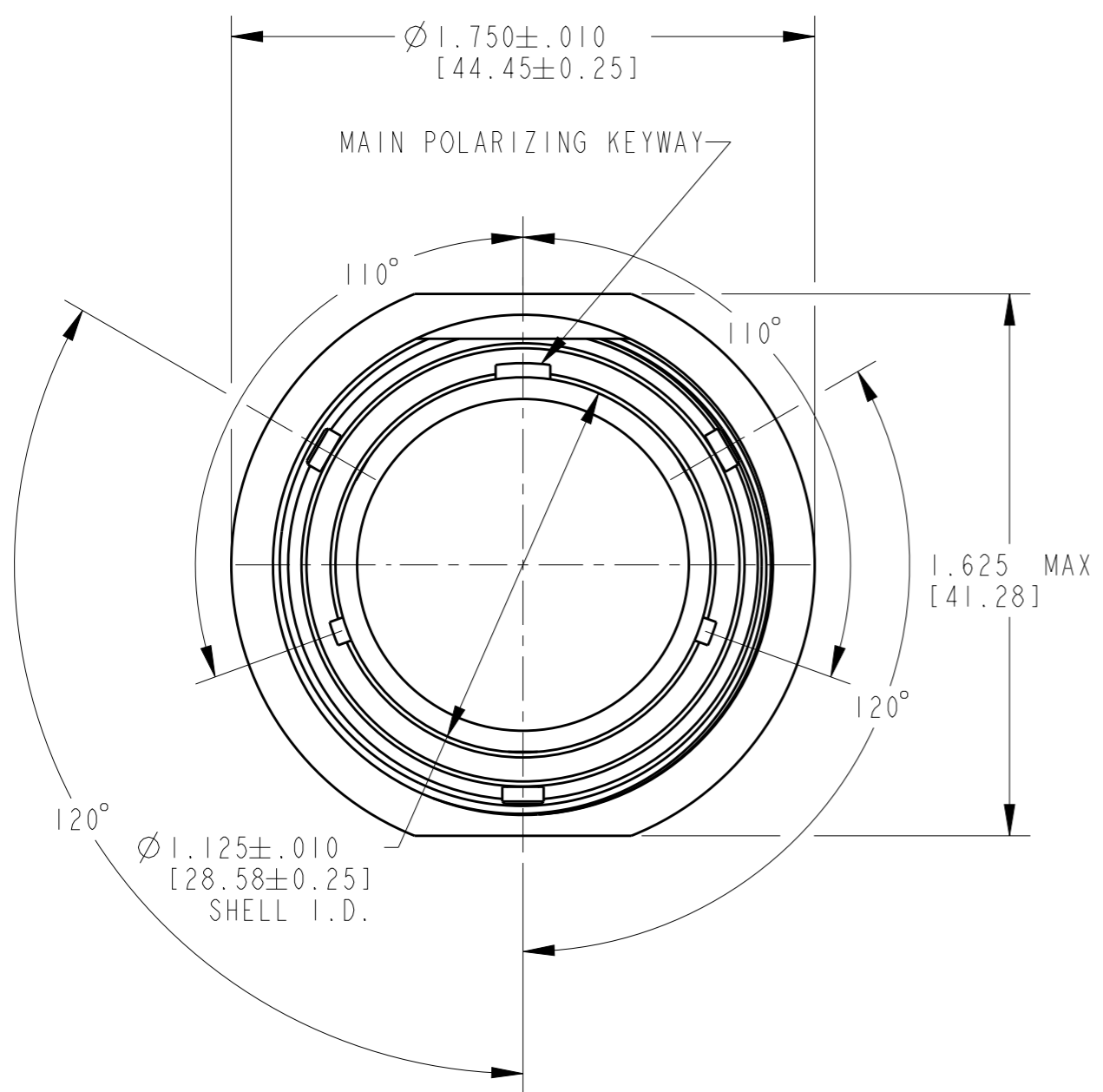


THIS DRAWING IS UNPUBLISHED. RELEASED FOR PUBLICATION 2015
 © COPYRIGHT 2015 BY - TE CONNECTIVITY ALL RIGHTS RESERVED.

| LOC | | DIST | | REVISIONS | | | |
|-----|-----|-------------|-----------------------------|-----------|------|-----|--|
| P | LTR | DESCRIPTION | DATE | DWN | APVD | | |
| - | - | NC | NEW RELEASE PER E.O. A14915 | 04DEC1995 | - | RDR | |
| - | - | A | REVISED PER ECO-15-001798 | 19MAR2015 | VNB | DM | |



3. MATERIAL:
 RECEPTACLE SHELL: AL 6000 SERIES

2. FOR ARRANGEMENT OF CONTACT LOCATION
 SEE ENVELOPE DRAWING 0425-013-1800.

1. CONSULT THE FACTORY FOR ELECTRICAL AND MATERIAL
 SPECIFICATIONS.

NOTES:

| | | | | |
|--|--|--------------------------------|--|-----------------|
| THIS DRAWING IS A CONTROLLED DOCUMENT. | | DWN V. TOMSA 07NOV1995 | | |
| DIMENSIONS: INCHES [mm] | | CHK V. TOMSA 04DEC1995 | | |
| TOLERANCES UNLESS OTHERWISE SPECIFIED: | | APVD R. REED 04DEC1995 | NAME RECEPTACLE CONNECTOR SHELL SIZE 18 BAYONET COUPLING HD30 SERIES | |
| 0 PLC ±- | | PRODUCT SPEC 0425-016-0000 | SIZE A3 | CAGE CODE - |
| 1 PLC ±- | | APPLICATION SPEC 0425-015-0000 | DRAWING NO. C=HD34-18-XXP/SX | RESTRICTED TO - |
| 2 PLC ±- | | WEIGHT - | SCALE 2:1 | SHEET 1 OF 1 |
| 3 PLC ±.010 [0.254] | | Customer Drawing | REV A | |
| 4 PLC ±- | | | | |
| ANGLES ±° 30' 0" | | | | |
| FINISH - | | | | |