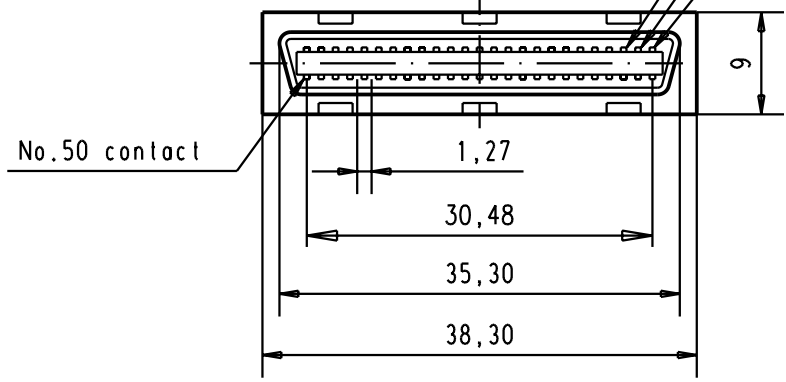
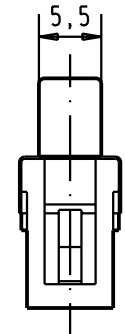
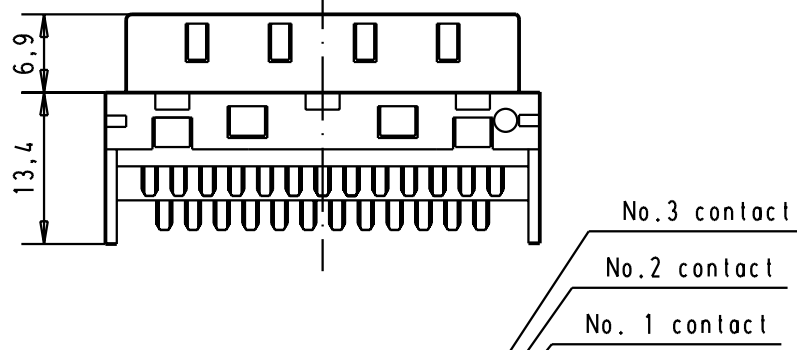
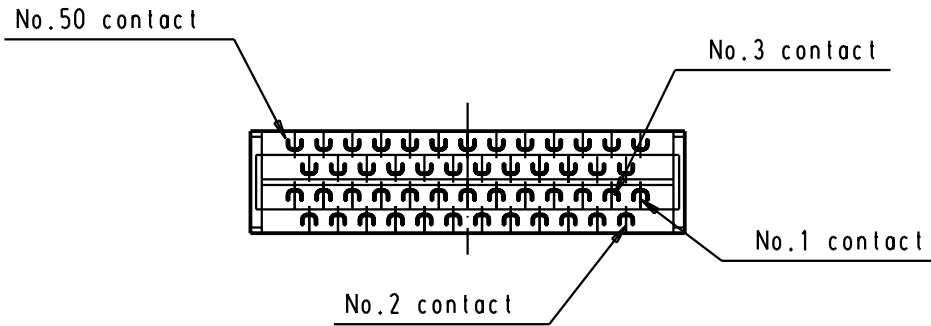
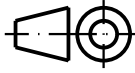



Alle Rechte vorbehalten/ All rights reserved

5 4 3 2



				Dat.	Name	 All Dim. in mm Orig. Size DIN A 4	har.mik <sup>®</sup> 50 poles female with solde	
			Detail.	20-JUN-02	CV			
			Insp.					
			Stand.					
MARTING EURL								TR 60 12 0

D  
C  
B  
A