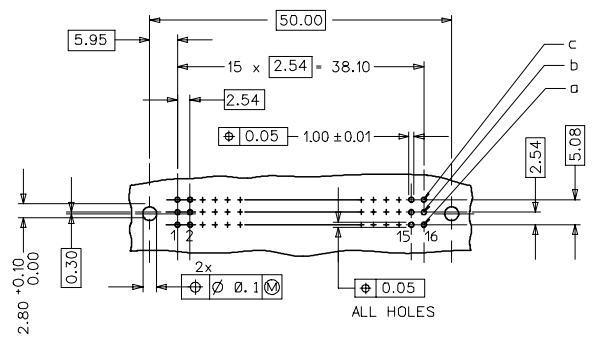
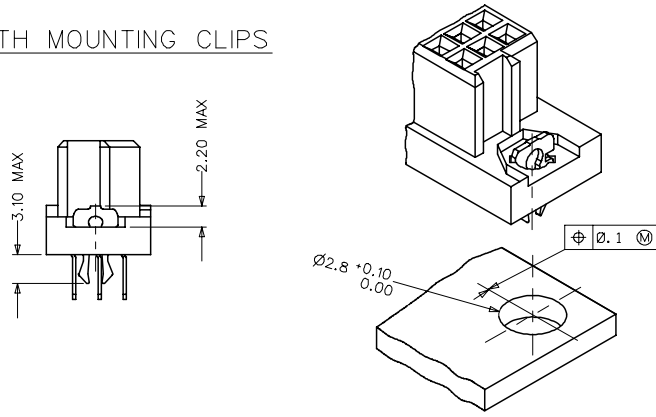


RECOMMENDED PCB LAYOUT
COMPONENT SIDE



WITH MOUNTING CLIPS



NOTES:

- MATERIALS: THERMOPLASTIC POLYESTER, GLASS FILLED, UL94V-0. COLOUR: PEBBLE GREY RAL 7032
TERMINAL - PHOSPHOR BRONZE
MOUNTING CLIP: STEEL
- FINISH: TERMINAL:-
CONTACT AREA
 - PERFORMANCE LEVEL 1: SELECTIVE GOLD (Au), THICKNESS = 1.1 MICROMETER OVER NICKEL, THICKNESS = 1.5 MICROMETER
 - PERFORMANCE LEVEL 2: SELECTIVE GOLD (Au), THICKNESS = 0.6 MICROMETER OVER NICKEL, THICKNESS = 1.5 MICROMETER
 - PERFORMANCE LEVEL 3: SELECTIVE GOLD (Au), THICKNESS = 0.3 MICROMETER OVER NICKEL, THICKNESS = 1.5 MICROMETER
 TERMINATION AREA:
SELECTIVE TIN, THICKNESS = 5 MICROMETER
OVER NICKEL, THICKNESS = 1.5 MICROMETER OVERALL
- MOUNTING CLIP:-
TIN (Sn), THICKNESS = 5-10 MICROMETER,
OVER NICKEL (Ni), THICKNESS = 2.5 MICROMETER
- FOR NON MOUNTING CLIP OPTION, CONNECTOR TO BE SECURED WITH RIVETS: 2 TUBULAR RIVETS 2.5 x 0.3 ... DIN 7340
SCREWS: 2 CHEESEHEAD SCREWS M2.5 x ... DIN 84 AND 2 HEXAGONAL NUTS M2.5 DIN 934
- MATERIAL No, BATCH CODE, UL AND CSA MARKING TO BE PRINTED ON THE CONNECTOR.
- CUT FACES OF TIP WITHOUT PLATING PERMITTED.
- PRODUCT SPECIFICATION PS-36500-001

RoHS COMPLIANT

ENTER DESCRIPTION ELC INC 2007/04/25 DRAWING APPROVED 2006/10/10 CHECKED BY SSUDHIR 2006/10/11 APPROVED BY SSUDHIR 2006/10/16	QUALITY SYMBOLS ▽=0 ▽=0	GENERAL TOLERANCES (UNLESS SPECIFIED)		DIMENSION STYLE MM ONLY		SCALE 2:1	DESIGN UNITS METRIC	THIRD ANGLE PROJECTION	
		4 PLACES ± --- ± --- 3 PLACES ± 0.005 ± --- 2 PLACES ± 0.1 ± --- 1 PLACE ± 0.15 ± ---	INCH ± --- ± --- ± ---	DRAWN BY SHANKAR	DATE 2006/04/25	TITLE ASSY DIN41612 C/2 FEMALE 48 POS 1.0MM PCB DIA	MOLEX INCORPORATED		
DRAFT WHERE APPLICABLE MUST REMAIN WITHIN DIMENSIONS	SEE SHEET 2	MATERIAL NO. SD-36501-0001	DOCUMENT NO.	SHEET NO. 1 OF 2	THIS DRAWING CONTAINS INFORMATION THAT IS PROPRIETARY TO MOLEX INCORPORATED AND SHOULD NOT BE USED WITHOUT WRITTEN PERMISSION				

	20	19	18	17	16	15	14	13	12	11	10	9	8	7	6	5	4	3	2	1	
	MATERIAL No	MOLEX ENG No	PERF LEVEL	PLATING	CONTACT SEQUENCE/ROW	DIM "L" mm	MOUNTING CLIP	FLUX PROOF													
	36501-0001	MM-B2401-C480	1	Au+Ni	1.2.3....16 a+b+c	2.9	NO	NO													
	36501-0002	MM-B2501-C480	2	Au+Ni	1.2.3....16 a+b+c	2.9	NO	NO													
	36501-0003	MM-B2601-C480	3	Au+Ni	1.2.3....16 a+b+c	2.9	NO	NO													
L	36501-0007	MM-B2401-C410	1	Au+Ni	1.2.3....16 a+b+c	2.9	YES	NO													
	36501-0008	MM-B2501-C410	2	Au+Ni	1.2.3....16 a+b+c	2.9	YES	NO													
	36501-0009	MM-B2601-C410	3	Au+Ni	1.2.3....16 a+b+c	2.9	YES	NO													
	36501-0013	MM-B2401-C480-133	1	Au+Ni	1.2.3....16 a+b+c	2.9	NO	YES													
	36501-0014	MM-B2501-C480-133	2	Au+Ni	1.2.3....16 a+b+c	2.9	NO	YES													
K	36501-0015	MM-B2601-C480-133	3	Au+Ni	1.2.3....16 a+b+c	2.9	NO	YES													
	36501-0019	MM-B2401-C410-133	1	Au+Ni	1.2.3....16 a+b+c	2.9	YES	YES													
	36501-0020	MM-B2501-C410-133	2	Au+Ni	1.2.3....16 a+b+c	2.9	YES	YES													
	36501-0021	MM-B2601-C410-133	3	Au+Ni	1.2.3....16 a+b+c	2.9	YES	YES													
J	36501-0025	MM-B2402-C480	1	Au+Ni	1.2.3....16 a+b+c	4.5	NO	NO													
	36501-0026	MM-B2502-C480	2	Au+Ni	1.2.3....16 a+b+c	4.5	NO	NO													
	36501-0027	MM-B2602-C480	3	Au+Ni	1.2.3....16 a+b+c	4.5	NO	NO													
	36501-0031	MM-B2402-C410	1	Au+Ni	1.2.3....16 a+b+c	4.5	YES	NO													
	36501-0032	MM-B2502-C410	2	Au+Ni	1.2.3....16 a+b+c	4.5	YES	NO													
I	36501-0033	MM-B2602-C410	3	Au+Ni	1.2.3....16 a+b+c	4.5	YES	NO													
	36501-0037	MM-B2402-C480-133	1	Au+Ni	1.2.3....16 a+b+c	4.5	NO	YES													
	36501-0038	MM-B2502-C480-133	2	Au+Ni	1.2.3....16 a+b+c	4.5	NO	YES													
	36501-0039	MM-B2602-C480-133	3	Au+Ni	1.2.3....16 a+b+c	4.5	NO	YES													
H	36501-0043	MM-B2402-C410-133	1	Au+Ni	1.2.3....16 a+b+c	4.5	YES	YES													
	36501-0044	MM-B2502-C410-133	2	Au+Ni	1.2.3....16 a+b+c	4.5	YES	YES													
	36501-0045	MM-B2602-C410-133	3	Au+Ni	1.2.3....16 a+b+c	4.5	YES	YES													

RoHS COMPLIANT

ENTER DESCRIPTION ELC INC. 12007 0044 DRWNGSATHARAD 2006/10/10 CHKDSSUDHIR 2006/10/11 APPR-SSUDHIR 2006/10/16 B1	QUALITY SYMBOLS 	GENERAL TOLERANCES (UNLESS SPECIFIED)		DIMENSION STYLE MM ONLY		SCALE ---	DESIGN UNITS METRIC	THIRD ANGLE PROJECTION	
		4 PLACES ±---± 3 PLACES ±---± 2 PLACES ±---± 1 PLACE ±---±	mm INCH	DRAWN BY SHANKAR	DATE 2006/04/25	TITLE ASSY DIN41612 C/2 FEMALE 48 POS 1.0MM PCB DIA			
		ANGULAR ±---°		CHECKED BY SSUDHIR	DATE 2006/04/25	APPROVED BY SSUDHIR			
		DRAFT WHERE APPLICABLE MUST REMAIN WITHIN DIMENSIONS		MATERIAL NO. SEE CHART	DOCUMENT NO. SD-36501-0001	Molex MOLEX INCORPORATED		SHEET NO. 2 OF 2	