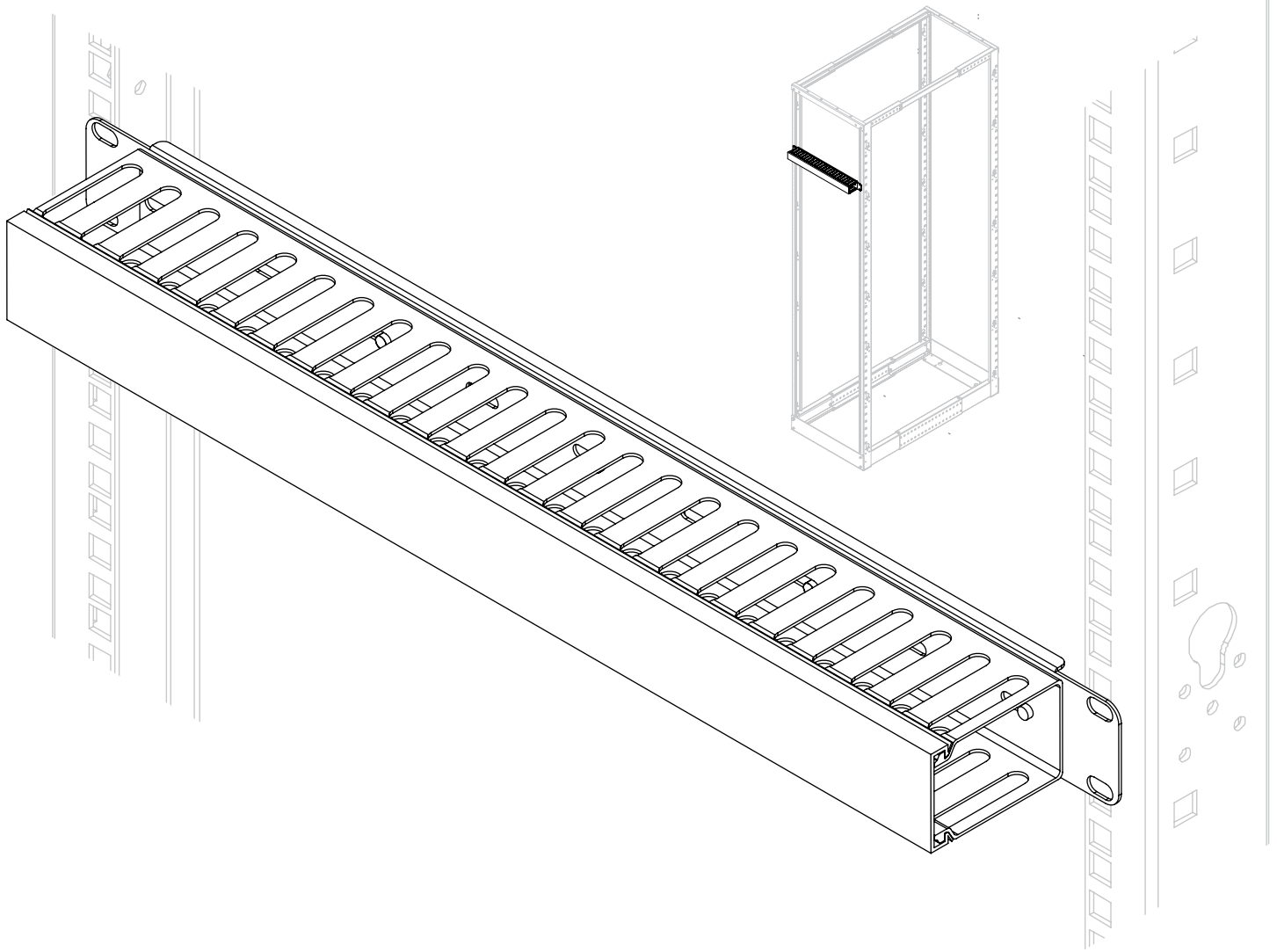


MODEL:

SRCABLEDUCT1U

1U Horizontal Cable Manager



- SRCABLEDUCT1U organizes cables and helps eliminate cable stress. It is compatible with most standard 19" enclosures and open frame racks. Includes mounting hardware.



Specifications

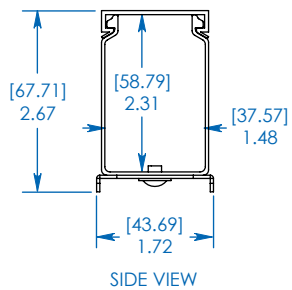
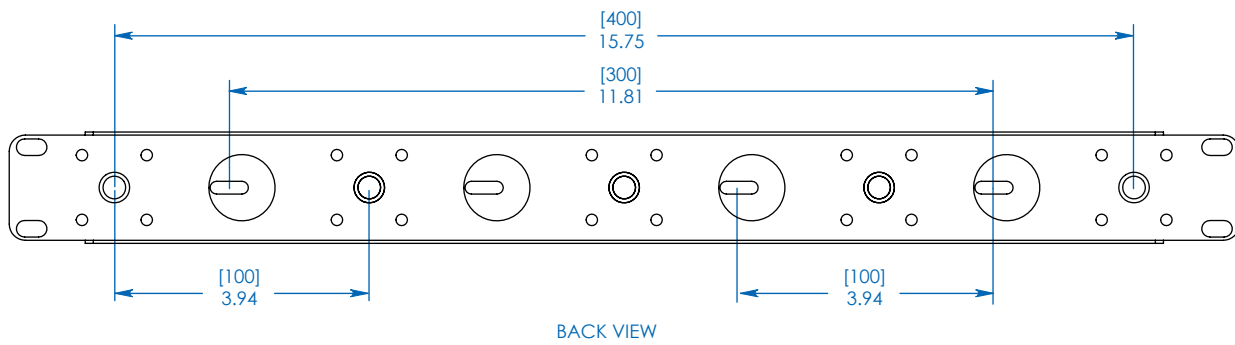
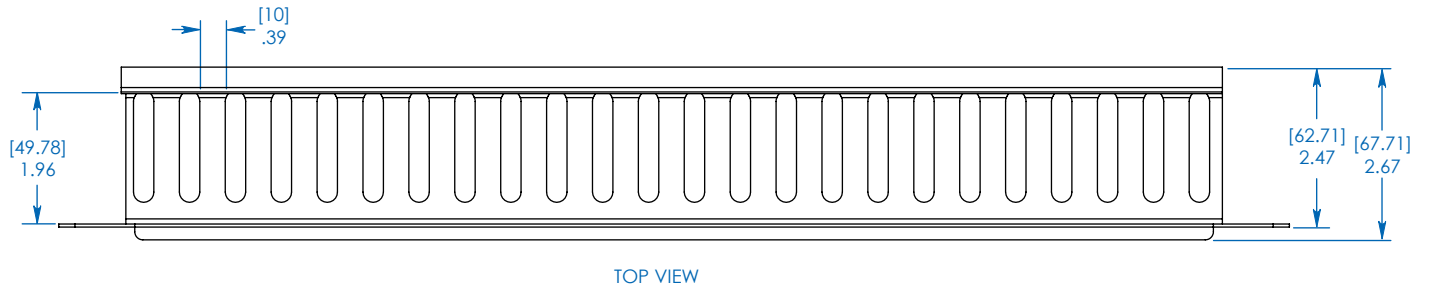
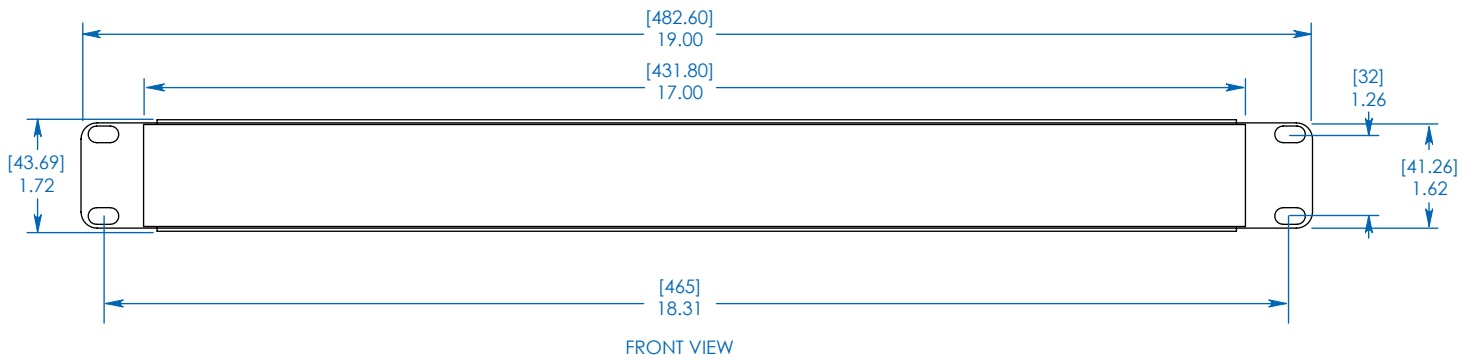
Model	SRCABLEDUCT1U
Material of Construction	Cold Rolled Steel
Unit Dimensions (H x W x D)	1.72 x 2.67 x 19.00 in (43.7 x 67.7 x 482.6 mm)
Shipping Dimensions (H x W x D)	2 x 4 x 19.4 in (50.8 x 101.6 x 492.8 mm)
Unit Weight	1.3 lb (.59 kg)
Shipping Weight	1.5 lb (.68 kg)
Certification	RoHS

Tripp Lite has a policy of continuous improvement. Specifications are subject to change without notice.

Dimensions: [mm] INCHES



1111 W. 35th Street
Chicago, IL 60609 USA
773.869.1234
www.tripplite.com



Dimensions: [mm] INCHES

Tripp Lite has a policy of continuous improvement. Specifications are subject to change without notice.

MODEL:
SRCABLEDUCT1U



1111 W. 35th Street
Chicago, IL 60609 USA
773.869.1234

www.triplite.com