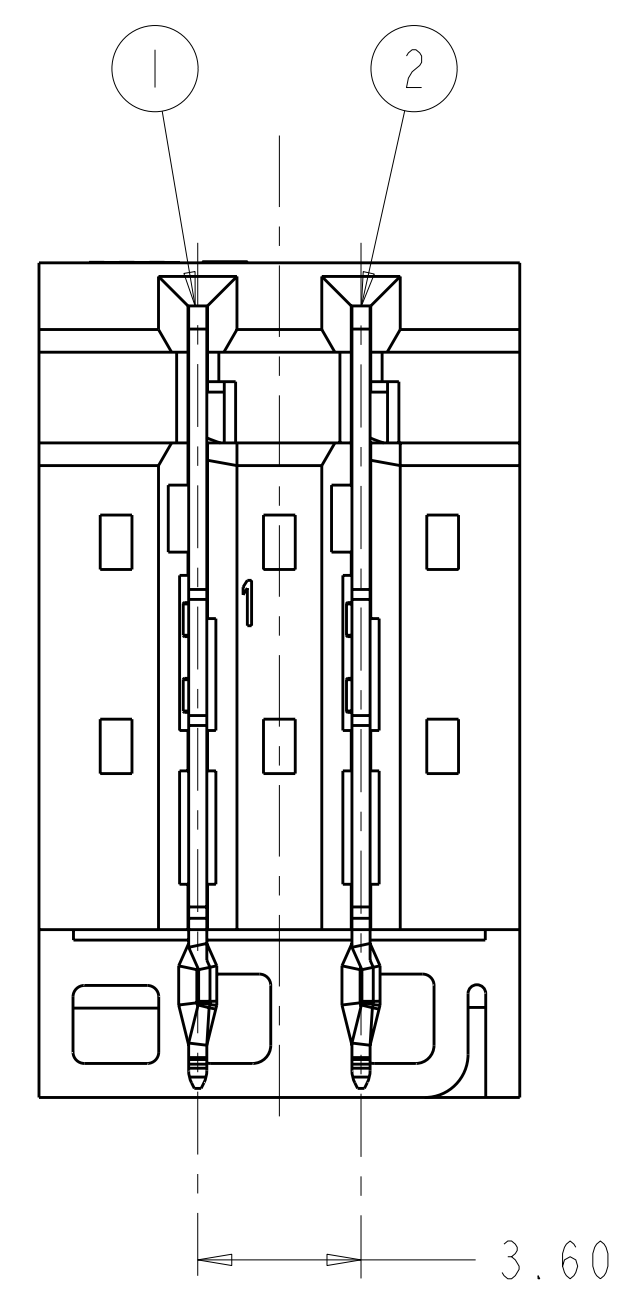
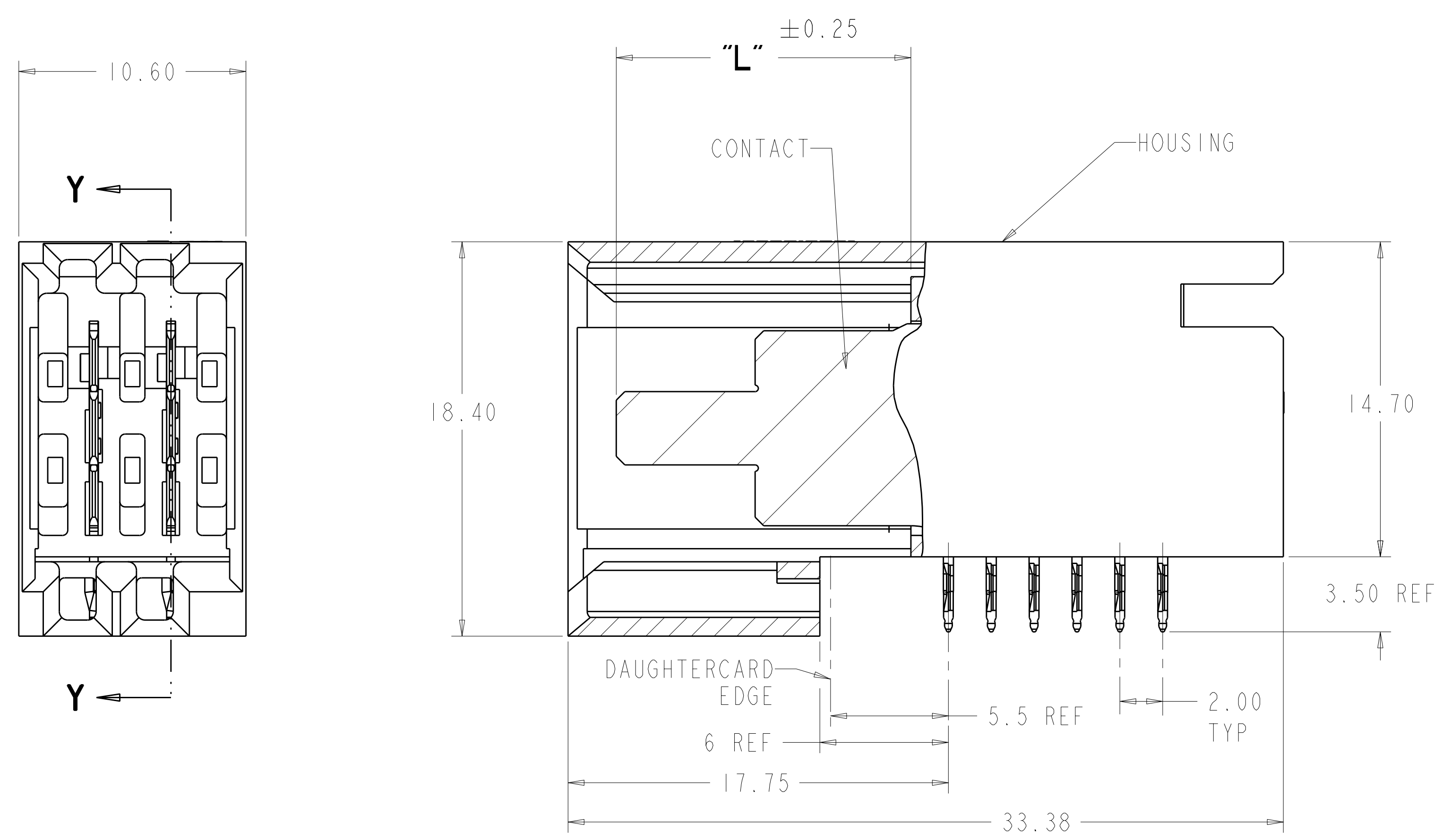
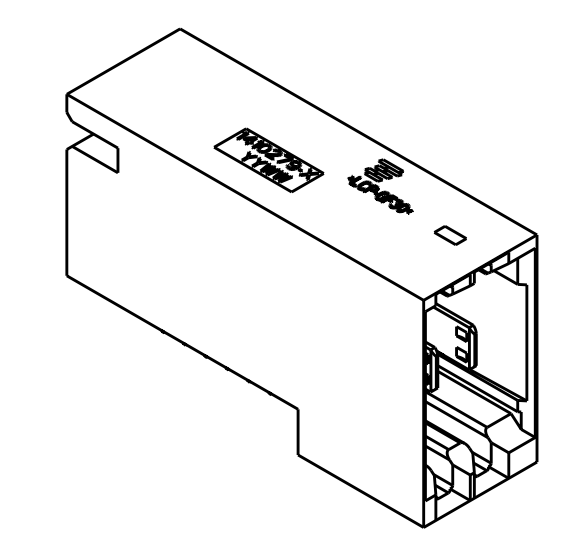


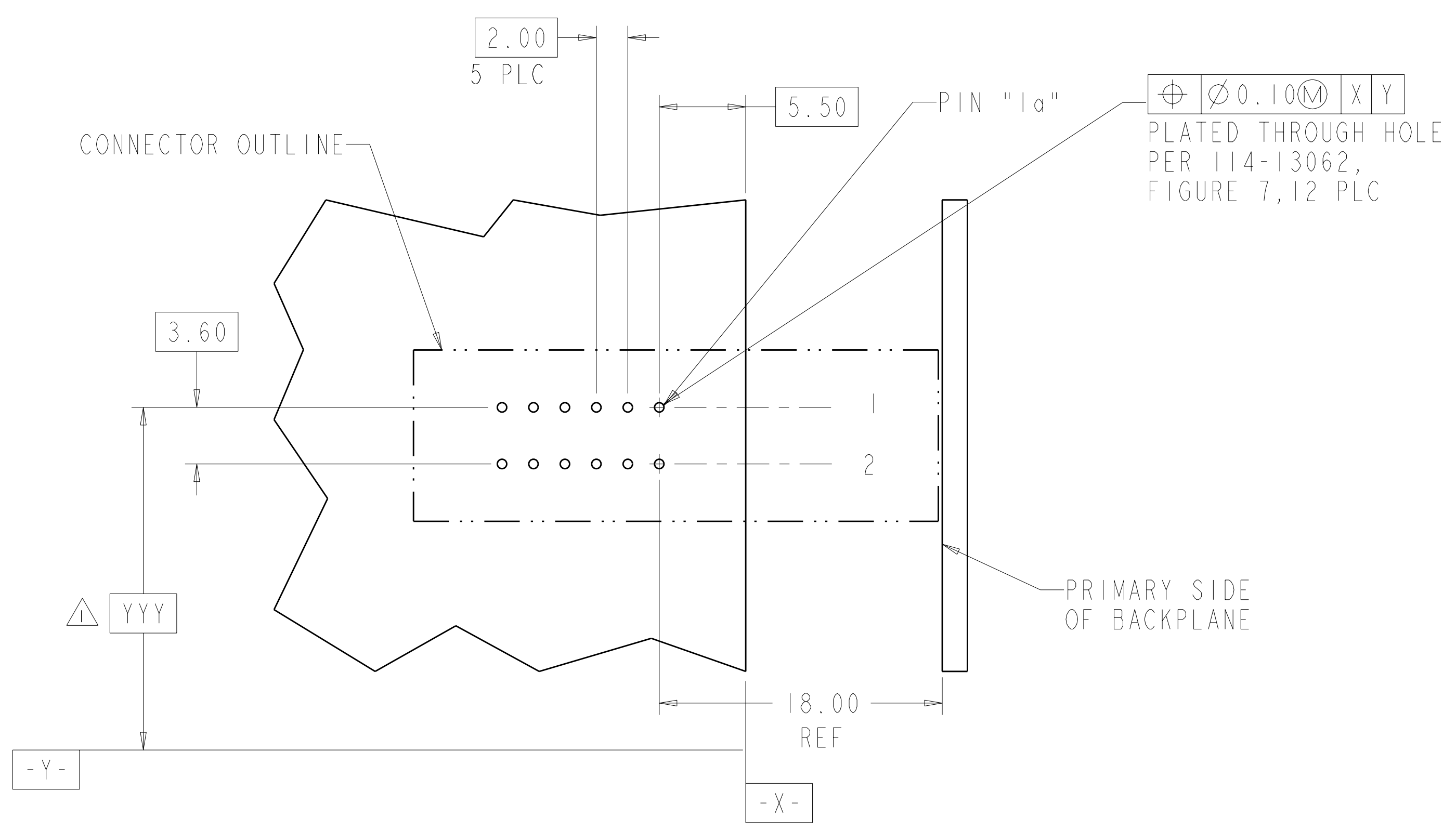
LOC	DIST	REV	DATE	BY	CHK	APPD
AD	00					
		A3	24APR2012	KH	AS	



- △ DIMENSIONS PER CUSTOMER BOARD LAYOUT
- △ FINISH: 1.27μM MIN GOLD IN CONTACT AREA, 1.27μM MIN TIN-LEAD ON PCB TAIL, OVER 1.27μM MIN NICKEL OVER ALL.
- △ HOUSING: LCP, UL94V-0, BLACK CONTACT: PHOSPHOR BRONZE
- △ FINISH: 1.27 μm MIN GOLD IN CONTACT AREA, 1.27 μm MIN TIN ON PCB TAIL, OVER 1.27 μm MIN NICKEL OVER ALL.
- △ OBSOLETE PARTS: OBSOLETE CIS STREAMLINING PER D.RENAUD/D.SINISI



SCALE 2:1



RECOMMENDED PCB HOLE LAYOUT DAUGHTER CARD PRIMARY SIDE SCALE 4:1

- △ SUPERSEDED BY 1-1410279-2
- △ SUPERSEDED BY 1-1410279-0
- △ SUPERSEDED BY 1410279-9

FINISH	CIRCUIT ID #2 "L"	CIRCUIT ID #1 "L"	PART NUMBER
△ 4	12.25	12.25	1-1410279-2
	10.75	12.25	1-1410279-1
	10.75	10.75	1-1410279-0
	10.75	13.75	1410279-9
	12.25	13.75	1410279-8
	13.75	13.75	1410279-7
△ 2	12.25	12.25	+410279-6
	10.75	12.25	1410279-5
	10.75	10.75	+410279-4
	10.75	13.75	+410279-3
	12.25	13.75	1410279-2
	13.75	13.75	1410279-1

THIS DRAWING IS A CONTROLLED DOCUMENT.

DIMENSIONS: mm	TOLERANCES UNLESS OTHERWISE SPECIFIED:	DWN S.WELLER 02NOV2000	CHK S.WELLER 02NOV2000	APVD D.HELSTER 02NOV2000	NAME
9 PLC ±0.3	2 PLC ±0.25	D.HELSTER 02NOV2000			ASSEMBLY, POWER, RIGHT ANGLE HEADER, 2 CAVITY, 20.3mm MULTIGIG
5 PLC ±0.25	4 PLC ±0.25	108-2062			SIZE CAGE CODE DRAWING NO RESTRICTED TO
ANGLES ±1°	FINISH	114-13062			A1 00779 C=1410279
MATERIAL	FINISH	114-13062			SCALE 6:1 SHEET 1 OF 1 REV A3

STE TE Connectivity