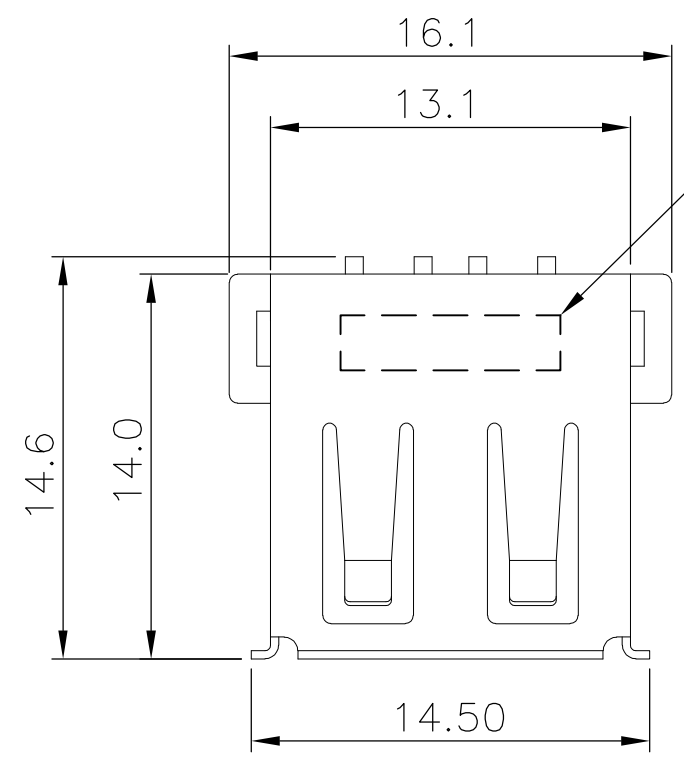


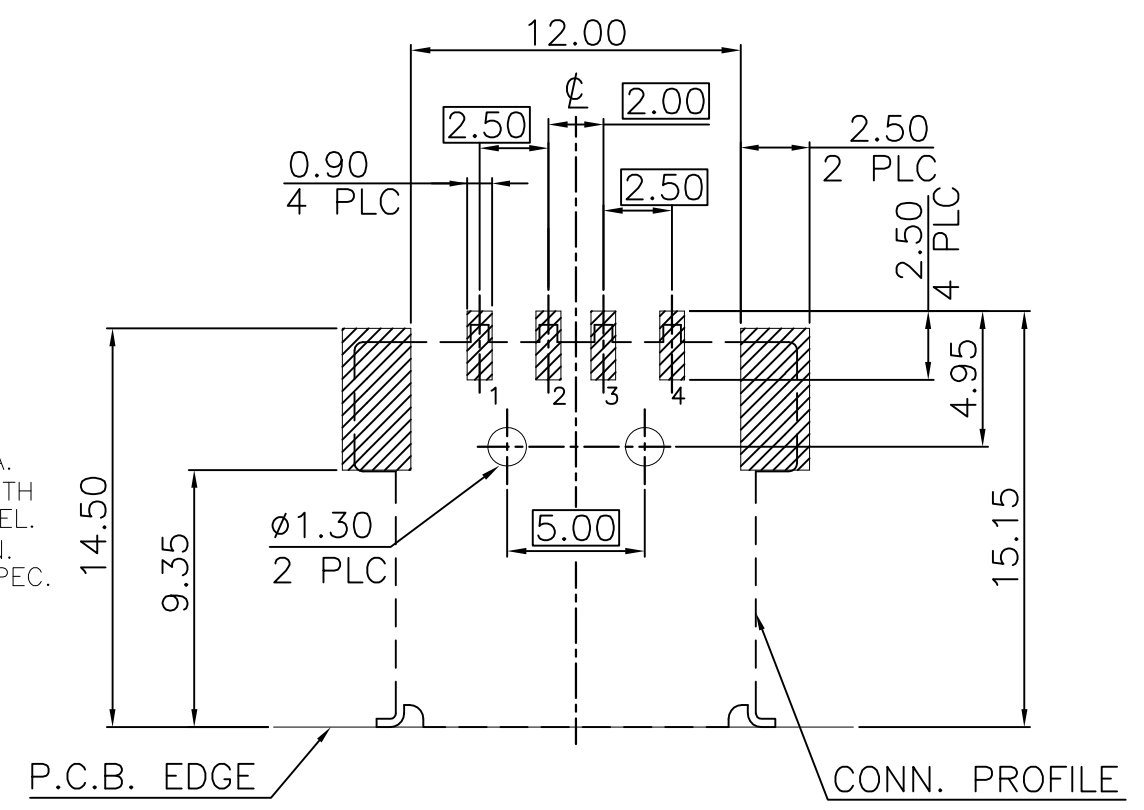
THIS DRAWING IS UNPUBLISHED. RELEASED FOR PUBLICATION  
 © COPYRIGHT - BY - ALL RIGHTS RESERVED.

LOC	DIST	REVISIONS					
DW		P	LTR	DESCRIPTION	DATE	DWN	APVD
		B1		REVISED PER ECO-11-005301	11APR11	RK	HMR

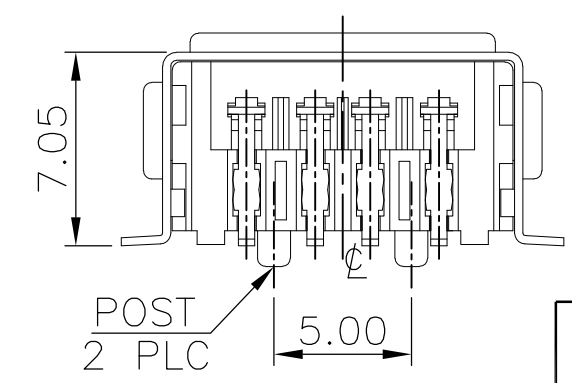
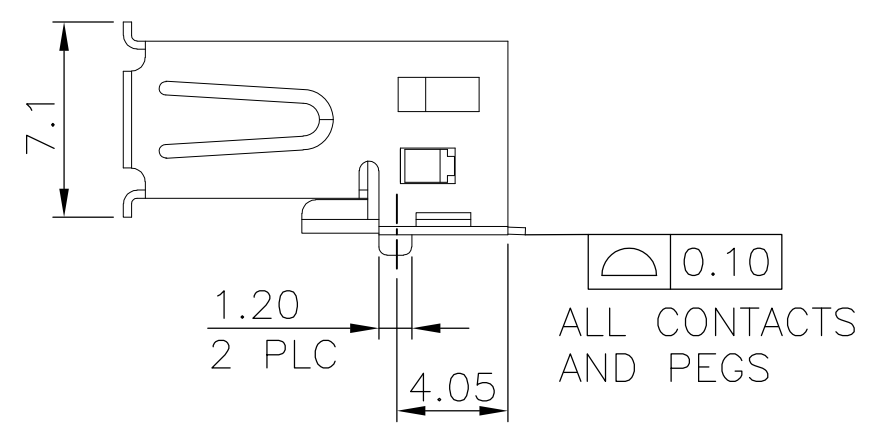
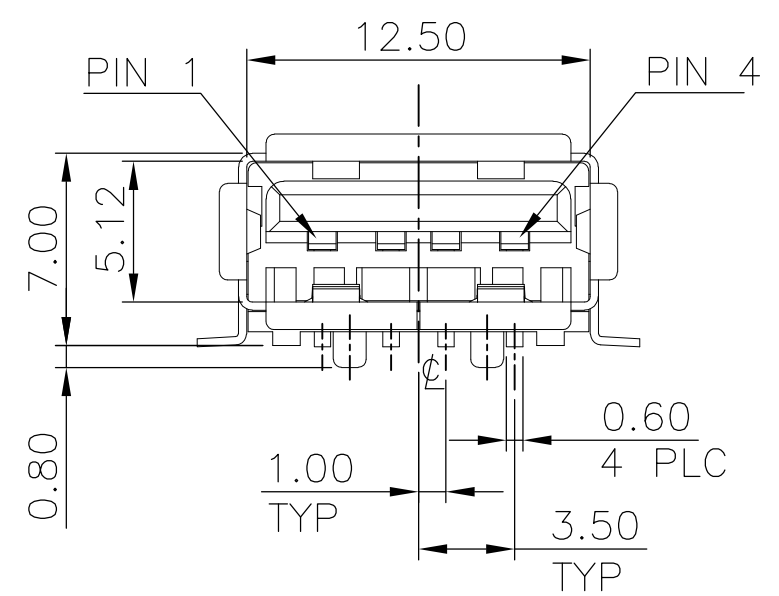


LOGO &  
DATE CODE

- NOTES:
- MATERIAL:  
HOUSING: THERMOPLASTIC WITH 30% GF, UL 94V-0,  
COLOR: (SEE TABLE).  
CONTACTS: PHOSPHOR BRONZE, THICKNESS=0.25mm..  
SHIELD: BRASS, THICKNESS=0.30mm.
  - FINISH:  
CONTACT: 0.762µm [30µ"] MIN. GOLD PLATED ON CONTACT AREA.  
3.048µm [120µ"] MIN. BRIGHT-TIN ON SOLDER TAIL, WITH  
ENTIRE CONTACT UNDERPLATED 1.27µm [50µ"] MIN. NICKEL.  
SHIELD: 0.762µm [30µ"] MIN. NICKEL OVER 0.762µm [30µ"] MIN.
  - REFLOW SOLDER CAPABLE TO 260°C PER TE CONNECTIVITY TEST SPEC.  
109-201, CONDITION B.



RECOMMENDED P.C.B. LAYOUT (THICKNESS=1.6mm)  
(TOP VIEW) TOLERANCES: ±0.05



w/	BLACK	1-1734082-2
	WHITE	1-1734082-1
w/o	BLACK	1734082-2
	WHITE	1734082-1
POST	COLOR	PART NUMBER

THIS DRAWING IS A CONTROLLED DOCUMENT.		DWN	O. HU	200CT2005	 TE Connectivity
DIMENSIONS: MM		CHK	S. HSU	200CT2005	
TOLERANCES UNLESS OTHERWISE SPECIFIED:		APVD	W.J. KE	200CT2005	
0 PLC ± - 1 PLC ± 0.35 2 PLC ± 0.25 3 PLC ± 0.15 4 PLC ± - ANGLES ± 3°		PRODUCT SPEC		NAME	
MATERIAL SEE NOTE		FINISH SEE NOTE		108-57505	USB CON, RCPT, ASS'Y, R/A SMT, A TYPE
		APPLICATION SPEC		501-57579	SIZE CAGE CODE DRAWING NO
		WEIGHT		1.82 GRAMS	A3 00779 C=1734082
		CUSTOMER DRAWING		SCALE	SHEET 1 OF 4
				RESTRICTED TO	REV B1

4

3

2

1

THIS DRAWING IS UNPUBLISHED.

RELEASED FOR PUBLICATION

ALL RIGHTS RESERVED.

© COPYRIGHT - BY -

LOC  
DWDIST  
/

REVISIONS

P	LTR	DESCRIPTION	DATE	DWN	APVD
		SEE SHEET 1.			

LOGO &  
DATE CODE

NOTES:

1. MATERIAL:

HOUSING: THERMOPLASTIC WITH 30% GF, UL 94V-0, COLOR: BLACK.  
CONTACTS: PHOSPHOR BRONZE, THICKNESS=0.25mm.  
SHIELD: BRASS, THICKNESS=0.30mm.

2. FINISH:

CONTACT: 0.762μm [30μ"] MIN. GOLD PLATED ON CONTACT AREA.  
3.048μm [120μ"] MIN. BRIGHT-TIN ON SOLDER TAIL, WITH  
ENTIRE CONTACT UNDERPLATED 1.27μm [50μ"] MIN. NICKEL.

SHIELD: 0.762μm [30μ"] MIN. NICKEL OVER 0.762μm [30μ"] MIN.

3. REFLOW SOLDER CAPABLE TO 260°C PER TE CONNECTIVITY TEST SPEC.  
109-201, CONDITION B.





RECOMMEND P.C.B LAYOUT (THICKNESS=1.6mm)  
(COMPONENT SIDE) TOLERANCE ±0.05

2-1734082-1

PART NUMBER

THIS DRAWING IS A CONTROLLED DOCUMENT.

DIMENSIONS:

MM

TOLERANCES UNLESS  
OTHERWISE SPECIFIED:

0 PLC	± -
1 PLC	± 0.35
2 PLC	± 0.25
3 PLC	± 0.15
4 PLC	± -
ANGLES	± 3°

MATERIAL

SEE NOTE

FINISH

SEE NOTE

DWN

CHK

APVD

PRODUCT SPEC

APPLICATION SPEC

WEIGHT

CUSTOMER DRAWING

TE Connectivity

NAME

USB CON, RCPT, ASS'Y, R/A SMT, A TYPE

SIZE

CAGE CODE

DRAWING NO

RESTRICTED TO

A3

00779

C=1734082

SCALE

SHEET

2 OF 4

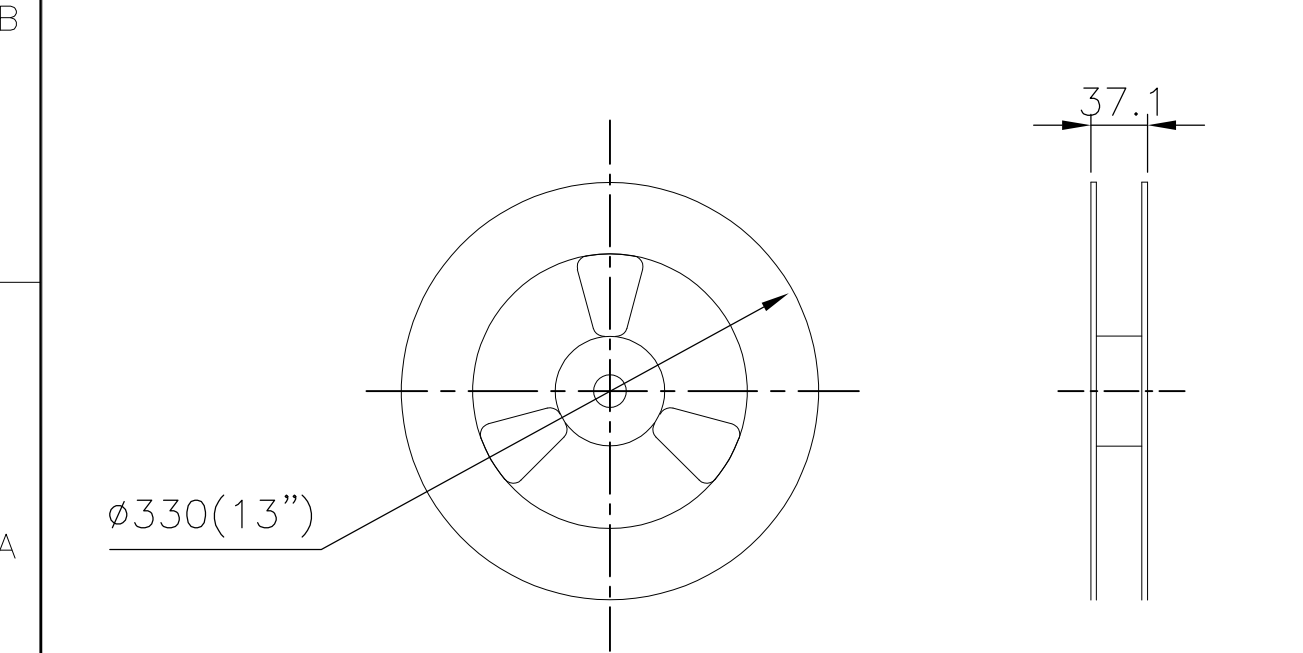
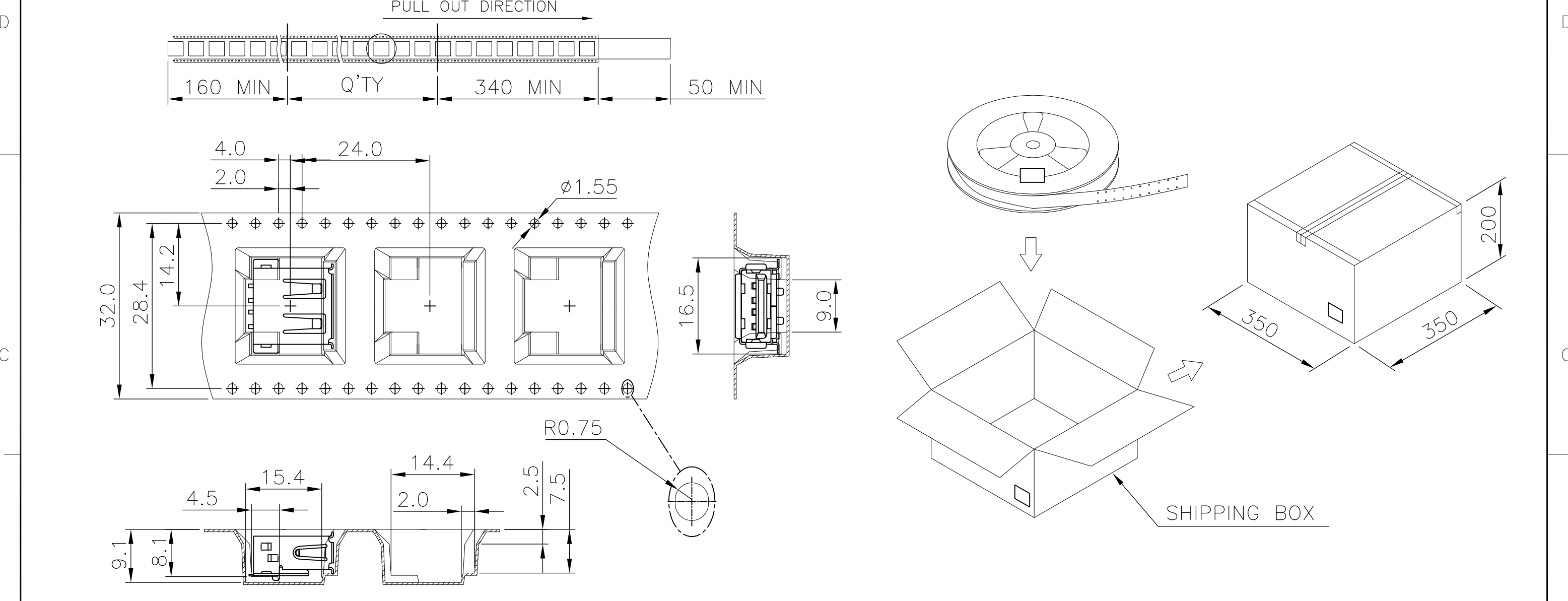
REV

B1

1470-19 (3/11)

THIS DRAWING IS UNPUBLISHED. RELEASED FOR PUBLICATION  
 © COPYRIGHT - BY - ALL RIGHTS RESERVED.

LOC	DIST	REVISIONS				
P	LTR	DESCRIPTION	DATE	DWN	APVD	
		SEE SHEET 1.				

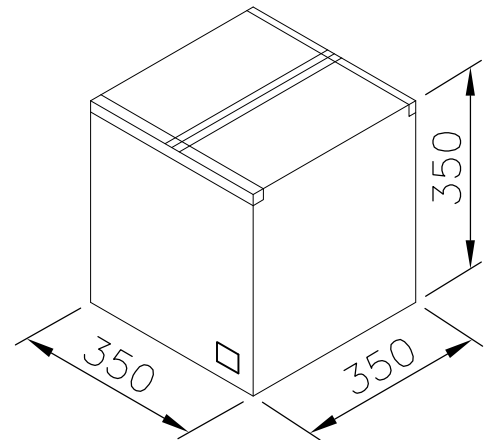
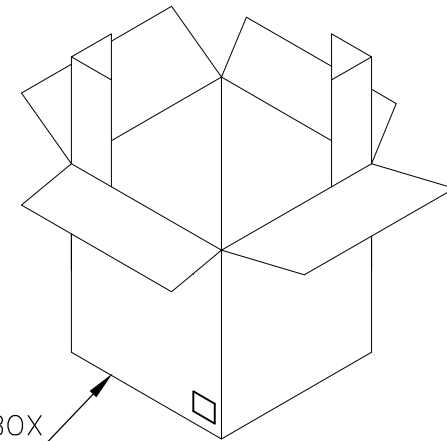
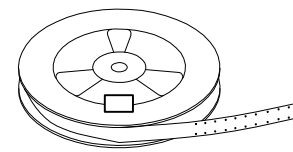
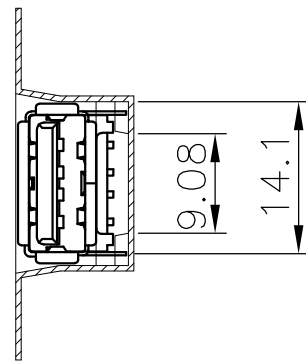
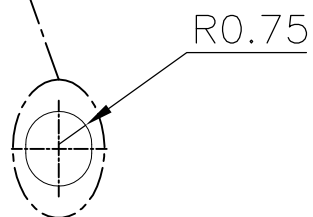
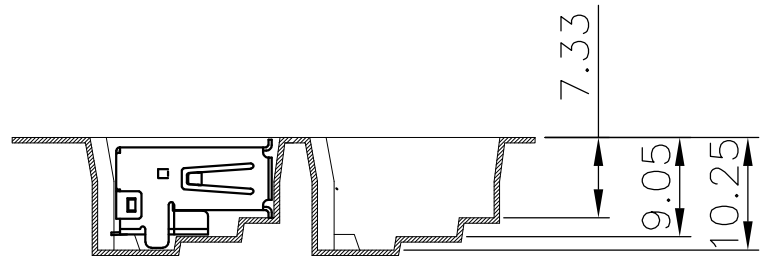
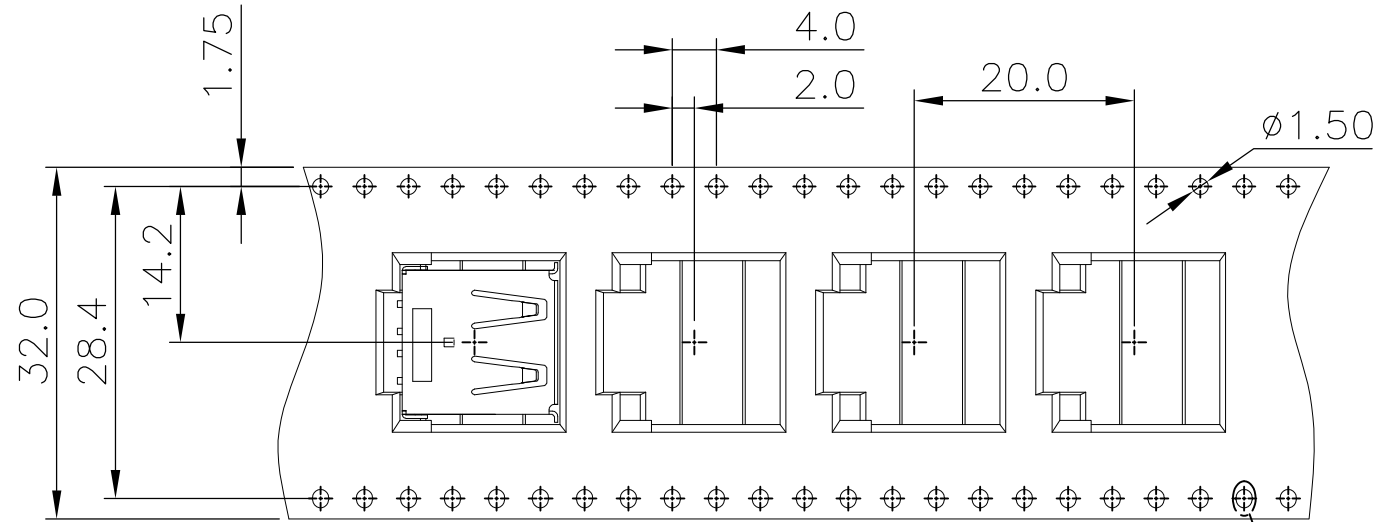
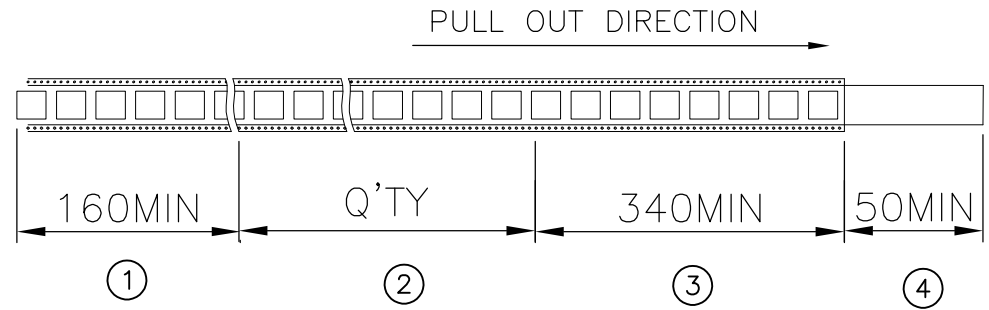


300	5	1500	5.36	2.73	1-1734082-2
					1-1734082-1
					1734082-2
					1734082-1
PCS/REEL	REELS/BOX	QUANTITY (PCS)	G/W (Kg)	N/W (Kg)	PART NUMBER

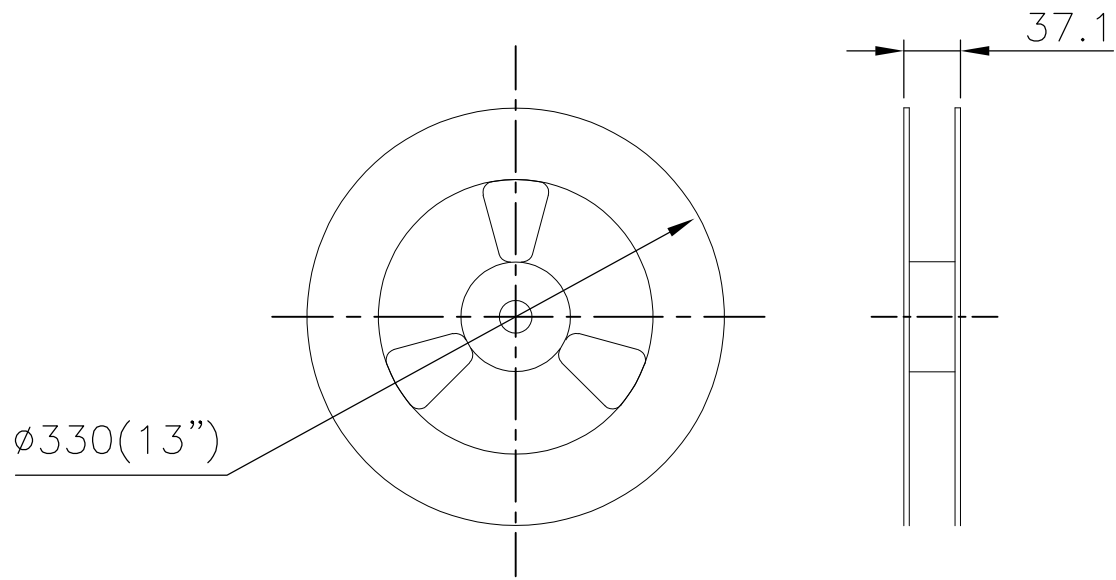
THIS DRAWING IS A CONTROLLED DOCUMENT.		DWN	<b>STE</b> TE Connectivity		
DIMENSIONS: MM		CHK			
TOLERANCES UNLESS OTHERWISE SPECIFIED:		APVD	NAME		
0 PLC ± -		PRODUCT SPEC	USB CON, RCPT, ASS'Y, R/A SMT, A TYPE		
1 PLC ± -		APPLICATION SPEC	SIZE	CAGE CODE	DRAWING NO
2 PLC ± -		WEIGHT	A3	00779	C=1734082
3 PLC ± -		CUSTOMER DRAWING	SCALE	SHEET	REV
4 PLC ± -			-	3 OF 4	B1
ANGLES ± -					
FINISH					
MATERIAL					

THIS DRAWING IS UNPUBLISHED. RELEASED FOR PUBLICATION  
 © COPYRIGHT - BY - ALL RIGHTS RESERVED.

LOC	DIST	REVISIONS				
P	LTR	DESCRIPTION	DATE	DWN	APVD	
		SEE SHEET 1.				



SHIPPING BOX



300	9	2700	12	5.94	2-1734082-1
PCS/REEL	REELS/CARTON	QUANTITY (PCS)	G/W (Kg)	N/W (Kg)	PART NUMBER

THIS DRAWING IS A CONTROLLED DOCUMENT.		DWN	TE Connectivity NAME USB CON, RCPT, ASS'Y, R/A SMT, A TYPE				
DIMENSIONS: MM		CHK					
TOLERANCES UNLESS OTHERWISE SPECIFIED:		APVD					
0 PLC ± - 1 PLC ± - 2 PLC ± - 3 PLC ± - 4 PLC ± - ANGLES ± - FINISH		PRODUCT SPEC					
MATERIAL		APVD	APPLICATION SPEC	SIZE	CAGE CODE	DRAWING NO	RESTRICTED TO
		WEIGHT	A3		00779	C=1734082	
CUSTOMER DRAWING			SCALE	SHEET	4 OF 4	REV	B1