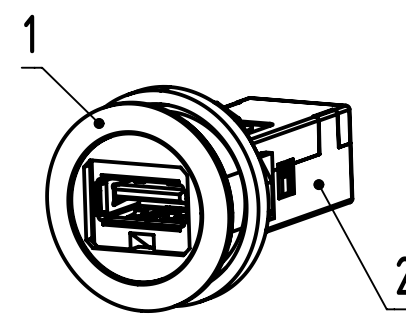
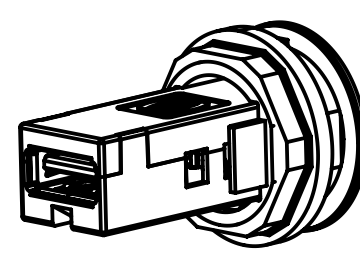
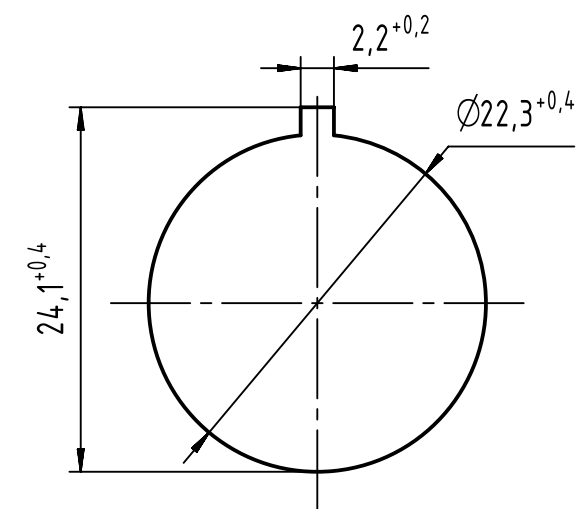



PANEL CUT DIMENSIONS



	All rights reserved Department EC PD - RO	All Dimensions in mm Original Size DIN A4		Scale 2:1	Free size tol.	Ref. Sub.
		Created by TAMAS	Inspected by AVRAM	Standardisation HOFFMANN	Date 2016-11-25	State Final Release
HARTING Electronics GmbH D-32339 Espelkamp		Title har-port USB 2.0 A-A ; PFT black			Doc-Key / ECM-Nr. 100205294/UGD/008/C 500000111080	
		Type TB	Number 09454521903		Rev. C	Page 1/1