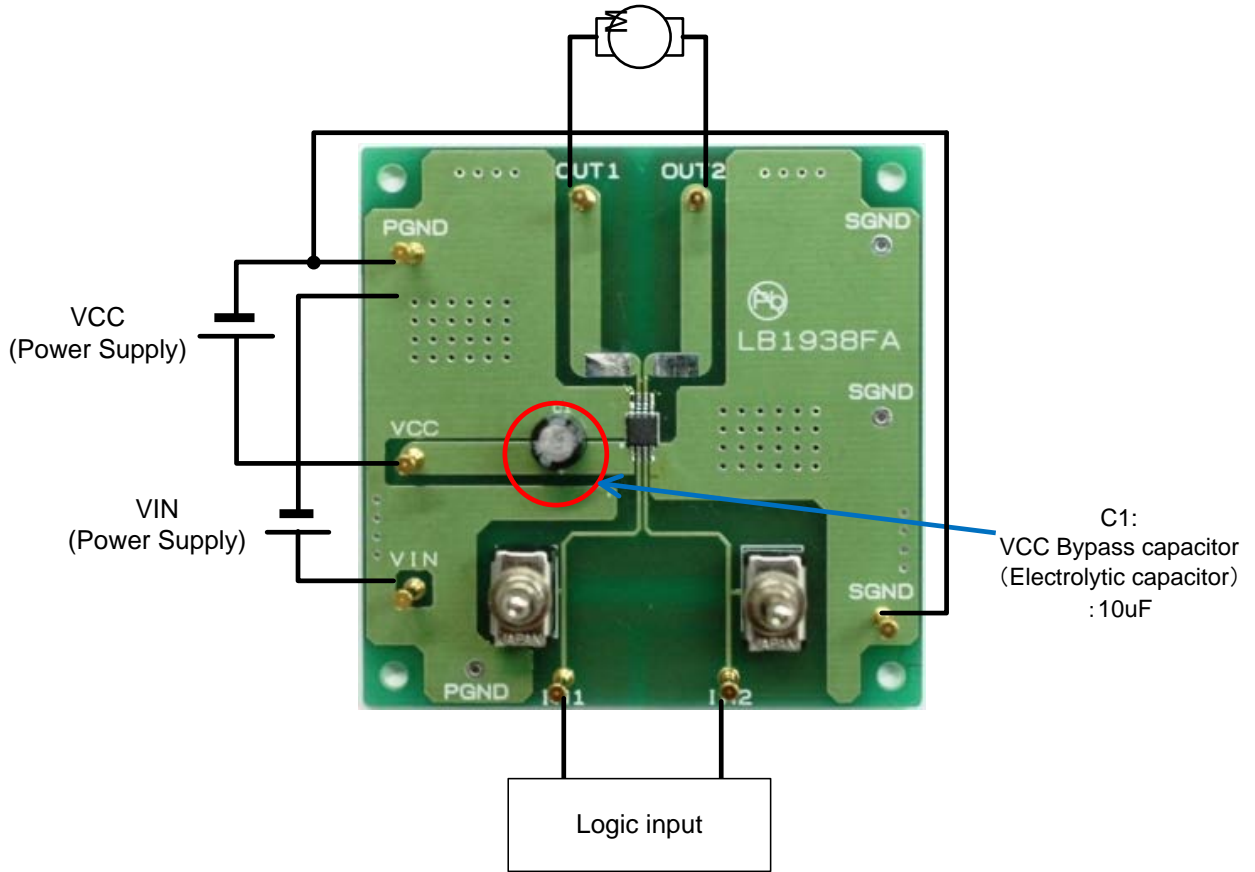
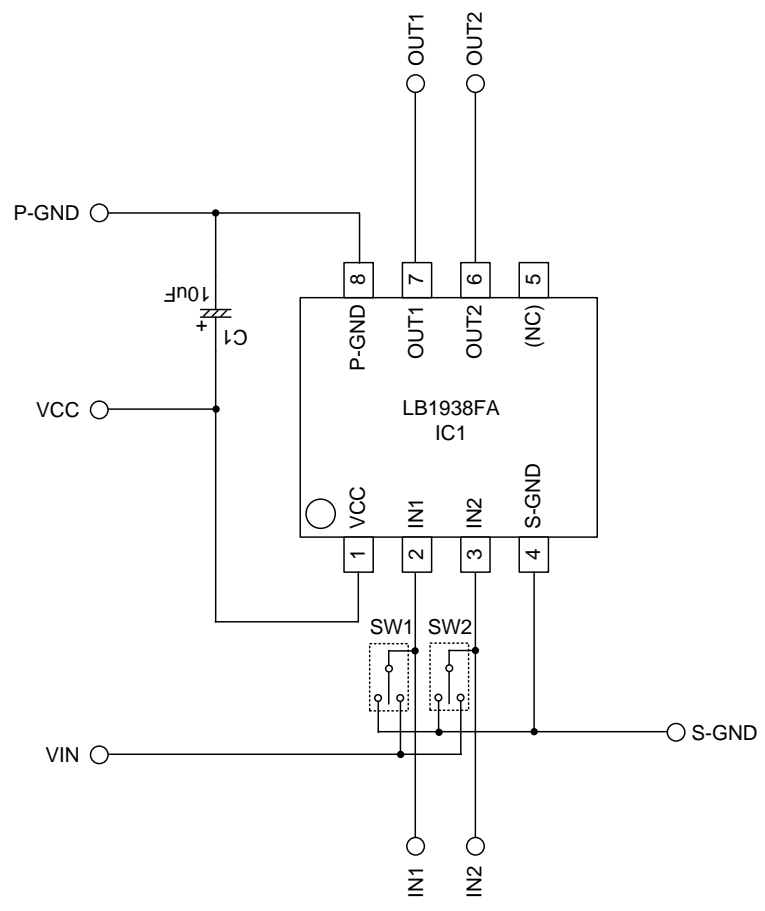


Test Procedure for the LB1938FAGEVB Evaluation Board



(Circuit diagram of the evaluation board)



Evaluation Board Manual

[Supply Voltage] VCC (2.2 to 10V): Power Supply for LSI

[Toggle Switch State] Upper Side: High (VIN)
 Middle: Open, enable to external logic input
 Lower Side: Low (GND)

[Operation Guide]

For DC motor control

1. **Initial Condition Setting:** Set the toggle switches “Open or Low”
2. **Motor Connection:** Connect the Motor between OUT1 and OUT2.
3. **Power Supply:** Supply DC voltage to VCC, VIN.
4. **Motor Operation:** Set IN1 and IN2 terminals according to the purpose (See LB1938FA datasheet).

- Truth value table

IN1	IN2	OUT1	OUT2	Mode
L	L	OFF	OFF	Standby
H	L	H	L	Forward
L	H	L	H	Reverse
H	H	H	H	Brake

DCmotor load VCC = 3V IN2 = "H"
Current waveform example - "brake current"

