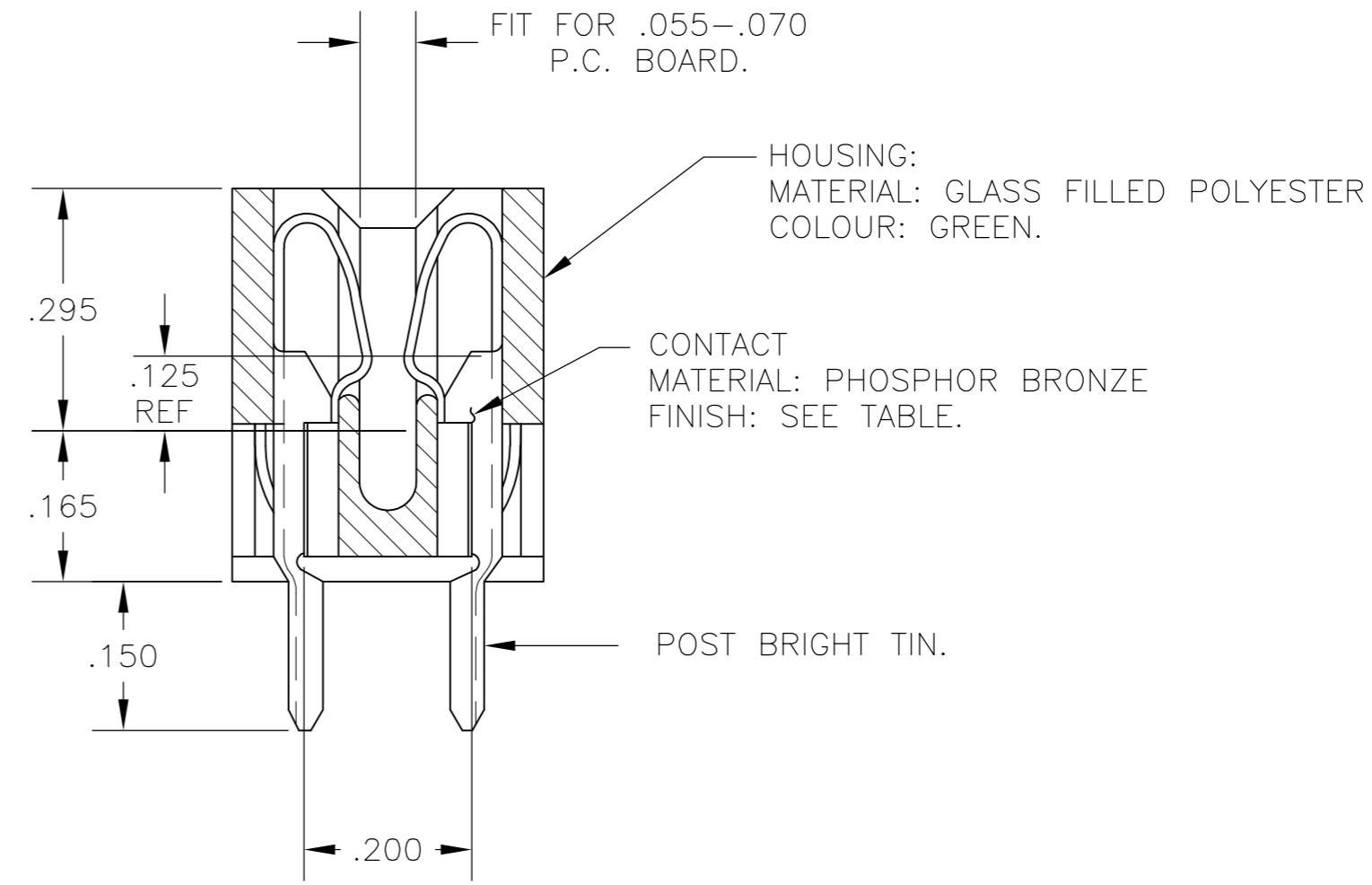
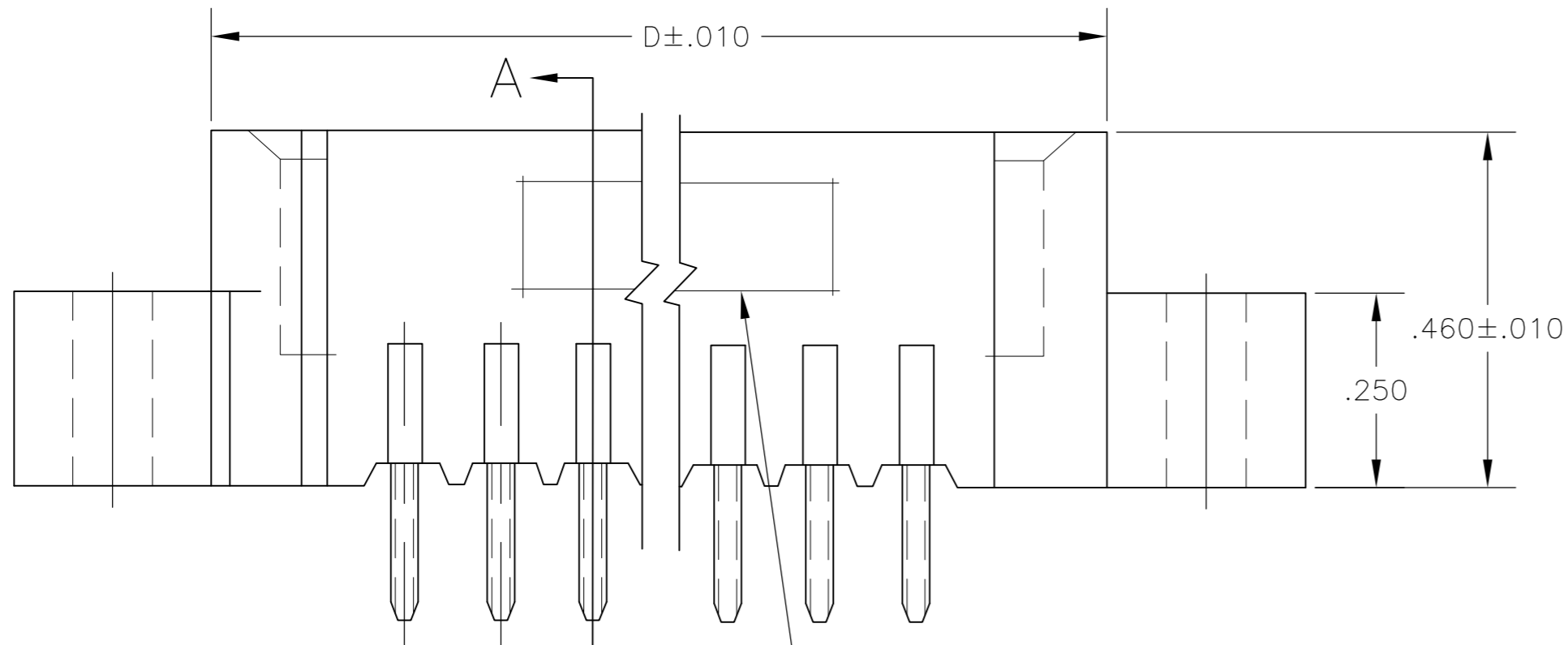
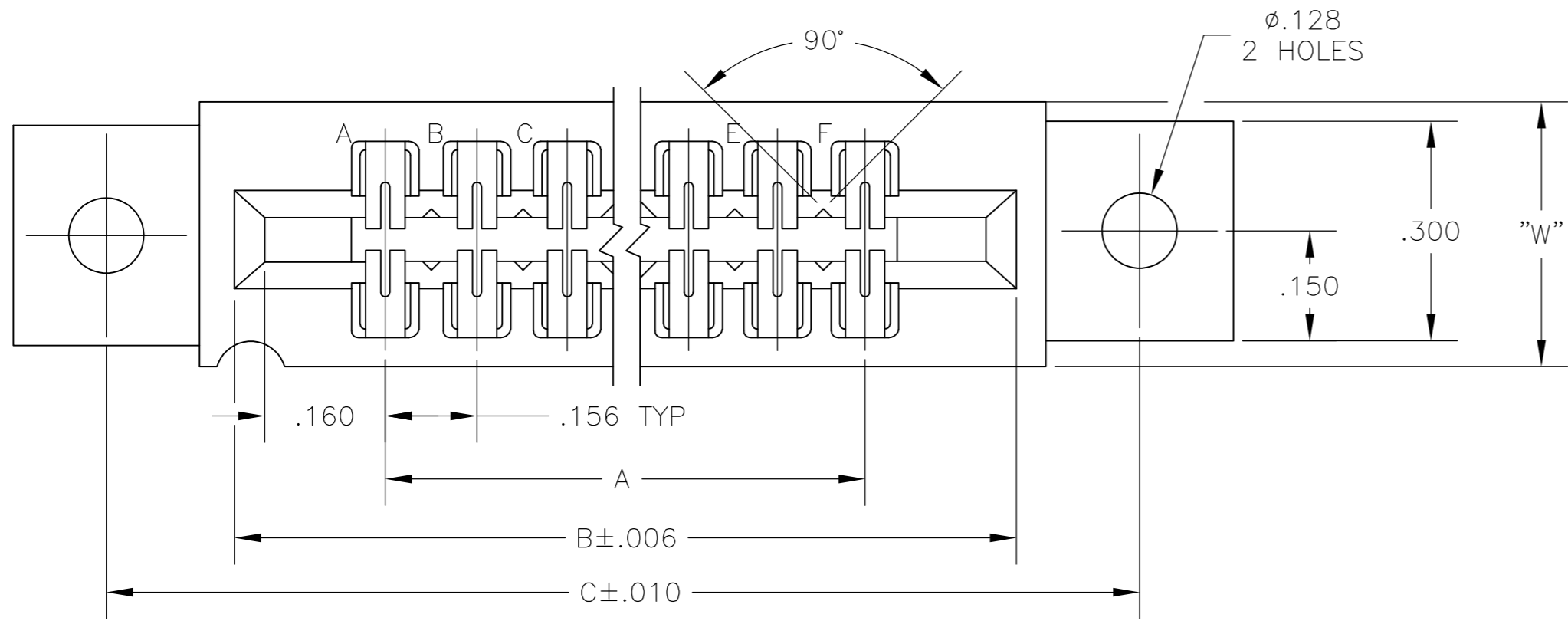
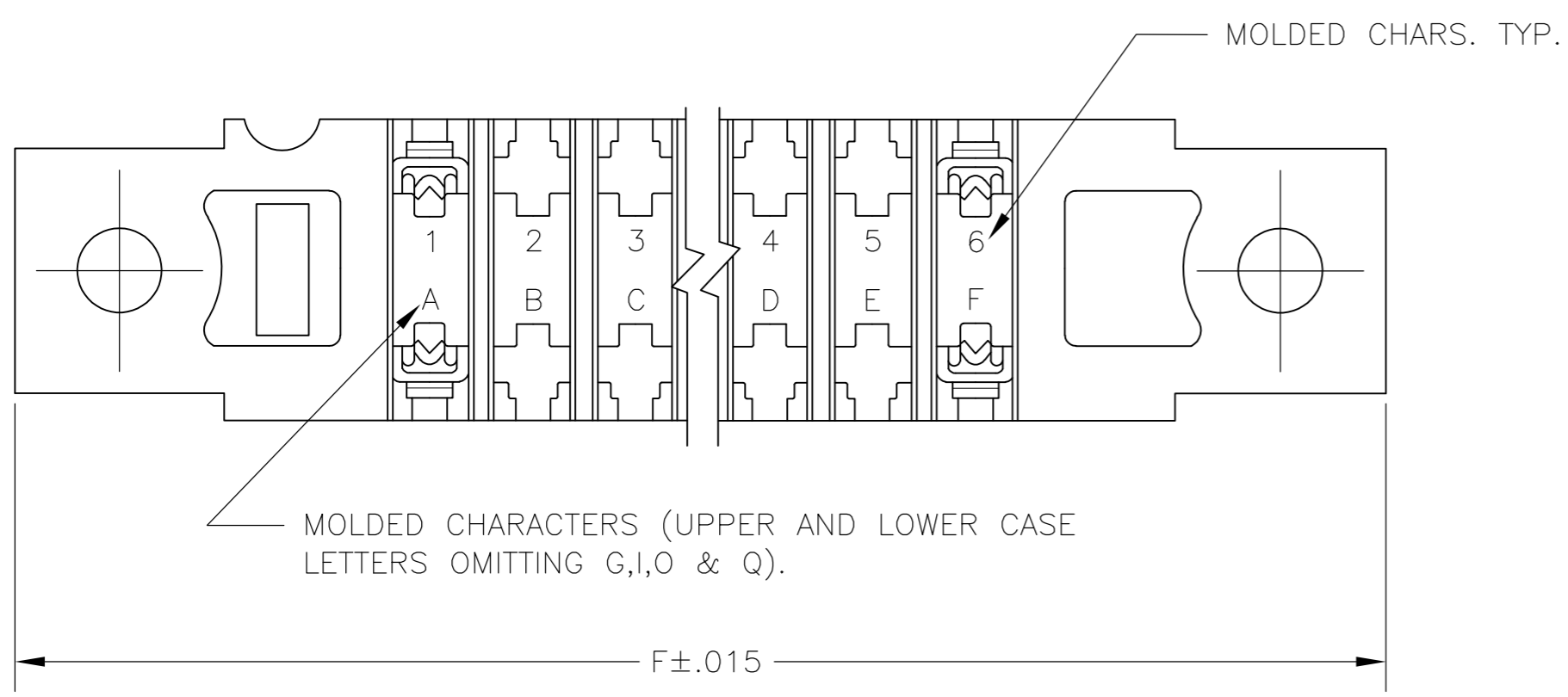


THIS DRAWING IS UNPUBLISHED. RELEASED FOR PUBLICATION
 © COPYRIGHT - By - ALL RIGHTS RESERVED.

LOC		DIST		REVISIONS			
P	LTR	DESCRIPTION	DATE	DWN	APVD		
AD	00	M2	REVISED PER ECO-11-004820	11MAR11	RK	HMR	



SECTION A-A



THIS DRAWING IS A CONTROLLED DOCUMENT.		DWN	19MAR75		TE Connectivity		
DIMENSIONS: INCHES		CHK	20MAR75		NAME		
		APVD	20MAR75		HOUSING ASSY, LOW PROFILE, EDGE CONNECTOR, FLOW SOLDER, FOR .052 DIA. HOLE, .156X.200 CENTERS.		
TOLERANCES UNLESS OTHERWISE SPECIFIED:		PRODUCT SPEC		SIZE	CAGE CODE	DRAWING NO	RESTRICTED TO
0 PLC ± -		APPLICATION SPEC		A2	00779	C=530655	-
1 PLC ± -		WEIGHT		SCALE 4:1			SHEET 1 of 2
2 PLC ± -		CUSTOMER DRAWING		REV M2			
3 PLC ± .005							
4 PLC ± -							
5 ANGLE ± -							
6 FINISH							
SEE CALL-OUT							

530655

THIS DRAWING IS UNPUBLISHED. RELEASED FOR PUBLICATION
 © COPYRIGHT - By - ALL RIGHTS RESERVED.

LOC	DIST	REVISIONS					
AD	00	P	LTR	DESCRIPTION	DATE	DWN	APVD
		-		SEE SHEET 1	-	-	-

- △1 .000015 MIN GOLD OVER .000050 MIN. NICKEL IN CONTACT AREA.
- △2 .000030 MIN GOLD OVER .00005 MIN. NICKEL IN CONTACT AREA.
- △3 SELECTIVELY LOADED, OMIT CONTACTS IN CIRCUIT CAVITIES 14,16,18,S AND U
- △4 ALL PARTS ASSEMBLED IN MEXICO MUST BE STAMPED "ASSY IN MEXICO" THE WORD "MEXICO" CAN BE SUBSTITUTED ONLY WHERE PART SIZE PROHIBTS STAMPING "ASSY IN MEXICO", INK STAMP COLOUR WHITE OR HOT STAMP (NO WHITE TAPE) 115-9009, APPROX. WHERE SHOWN, SIDE OPTIONAL.
- △5 MATTE TIN PLATED CONTACT TAILS.
- △6 OBSOLETE PARTS: OBSOLETE CIS STREAMLINING PER D.RENAUD/D.SINISI

△5										△6	
△5	-	43	6.552	6.872	7.307	7.012	.437	7.557	△6	8-530655-3	
△5	-	28	4.212	4.532	4.967	4.672	.370	5.217	△6	8-530655-2	
△5	-	36	5.460	5.780	6.215	5.920	.437	6.465	△6	8-530655-0	
△5	-	30	4.524	4.844	5.279	4.984	.437	5.529		7-530655-9	
△5	-	22	3.276	3.596	4.031	3.736	.370	4.281		7-530655-6	
△5	-	18	2.652	2.972	3.407	3.112	.370	3.657		7-530655-5	
△5	-	15	2.184	2.504	2.939	2.644	.370	3.189		7-530655-4	
△5	-	12	1.716	2.036	2.471	2.176	.370	2.721		7-530655-3	
△5	-	10	1.404	1.724	2.159	1.864	.370	2.409		7-530655-2	
△5	-	6	.780	1.100	1.535	1.240	.370	1.785		7-530655-1	
△5	-	18	2.652	2.972	3.407	3.112	.370	3.657		3-530655-4	
	1-530655-3	43	6.552	6.872	7.307	7.012	.437	7.557		3-530655-3	
	1-530655-2	28	4.212	4.532	4.967	4.672	.370	5.217		3-530655-2	
	1-530655-1	44	6.708	7.028	7.463	7.168	.437	7.713		3-530655-1	
	1-530655-0	36	5.460	5.780	6.215	5.920	.437	6.465		3-530655-0	
	530655-9	30	4.524	4.844	5.279	4.984	.437	5.529	△6	2-530655-9	
	530655-8	25	3.744	4.064	4.499	4.204	.370	4.749		2-530655-8	
	530655-7	24	3.588	3.908	4.343	4.048		4.593		2-530655-7	
	530655-6	22	3.276	3.596	4.031	3.736		4.281		2-530655-6	
	530655-5	18	2.652	2.972	3.407	3.112		3.657		2-530655-5	
	530655-4	15	2.184	2.504	2.939	2.644		3.189		2-530655-4	
	530655-3	12	1.716	2.036	2.471	2.176		2.721		2-530655-3	
	530655-2	10	1.404	1.724	2.159	1.864		2.409		2-530655-2	
	530655-1	6	.780	1.100	1.535	1.240		1.785		2-530655-1	
△1	PART NO	NO.OF. POSITION	A	B	C	D	W	F	△2	PART NO	

OBSOLETE

530655

THIS DRAWING IS A CONTROLLED DOCUMENT.

DWN	19MAR75	 TE Connectivity	HOUSING ASSY, LOW PROFILE, EDGE CONNECTOR, FLOW SOLDER, FOR .052 DIA. HOLE .156X.200 CTRS.
CHK	20MAR75		
APVD	20MAR75		
NAME			
DIMENSIONS: INCHES 		TOLERANCES UNLESS OTHERWISE SPECIFIED: 0 PLC ± - 1 PLC ± - 2 PLC ± - 3 PLC ± - 4 PLC ± - ANGLES ± -	
MATERIAL		FINISH	
SEE CALL-OUT		SEE CALL-OUT	
WEIGHT		SCALE	
-		A2 00779 C=530655	
CUSTOMER DRAWING		SHEET 2 OF 2 REV M2	