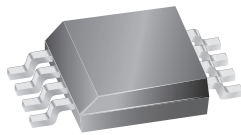


## Wide Input Voltage 3.0 A Step Down Regulator

### FEATURES AND BENEFITS

- 8 to 50 V input range
- Integrated DMOS switch
- Adjustable fixed off-time
- Highly efficient
- Adjustable 0.8 to 24 V output

**Package: 8-Lead SOIC with Exposed Thermal Pad (suffix LJ)**



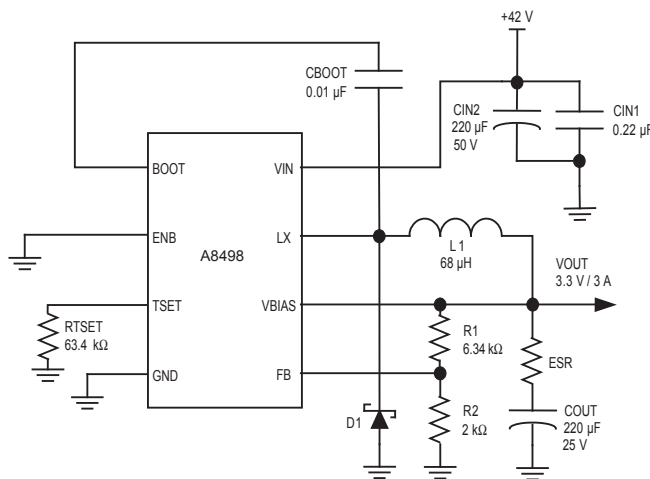
Approximate Scale 1:1 

### DESCRIPTION

The A8498 is a step down regulator that will handle a wide input operating voltage range.

The A8498 is supplied in a low-profile 8-lead SOIC with exposed pad (package LJ). Applications include:

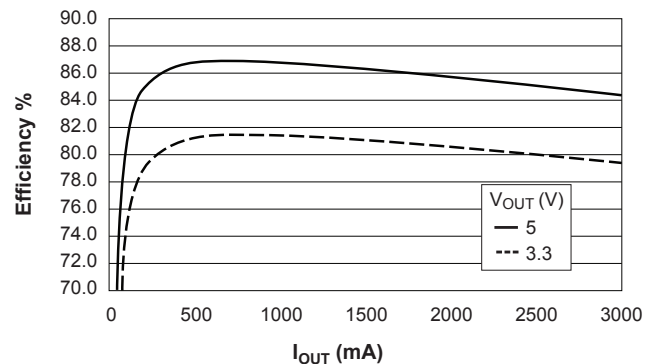
- Applications with 8 to 50 V input voltage range needing buck regulator for 3.0 A output current
- Consumer equipment power
- Uninterruptible power supplies (lead acid battery charger)
- Automotive telematics: 9 to 16 V input, with higher voltage protection
- 12 V lighter-powered applications (portable DVD, etc.)
- Point of Sale (POS) applications
- Industrial applications with 24 or 36 V bus



### Typical Application

Circuit for 42 V step down to 3.3 V at 3 A. Efficiency data from circuit shown in left panel. Data is for reference only.

Efficiency vs. Output Current



## SPECIFICATIONS

## Ordering Information

Use the following complete part numbers when ordering:

Part Number <sup>a</sup>	Packing <sup>b</sup>	Description
A8498SLJTR-T	13 in. reel, 3000 pieces/reel	LJ package, SOIC surface mount with exposed thermal pad



<sup>a</sup>Leadframe plating 100% matte tin.

<sup>b</sup>Contact Allegro for additional packing options.

## Absolute Maximum Ratings

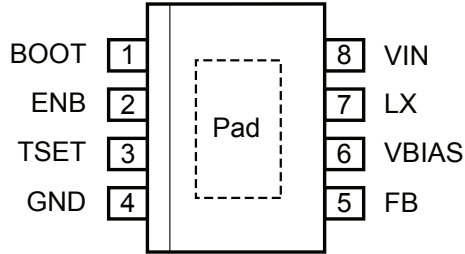
Characteristic	Symbol	Conditions	Min.	Typ.	Max.	Units
Load Supply Voltage, VIN pin	$V_{IN}$		–	–	50	V
Input Voltage, VBIAS pin	$V_{BIAS}$		–0.3	–	7	V
Switching Voltage	$V_S$		–1	–	–	V
Input Voltage Range, ENB pin	$V_{ENB}$		–0.3	–	7	V
Operating Ambient Temperature Range	$T_A$		–20	–	85	°C
Junction Temperature	$T_J(\text{max})$		–	–	150	°C
Storage Temperature	$T_S$		–55	–	150	°C

\*Output current rating may be limited by duty cycle, ambient temperature, and heat sinking. Under any set of conditions, do not exceed the specified current ratings, or a junction temperature,  $T_J$ , of 150°C.

## Package Thermal Characteristics\*

Package	$R_{\theta JA}$ (°C/W)	PCB
LJ	35	4-layer

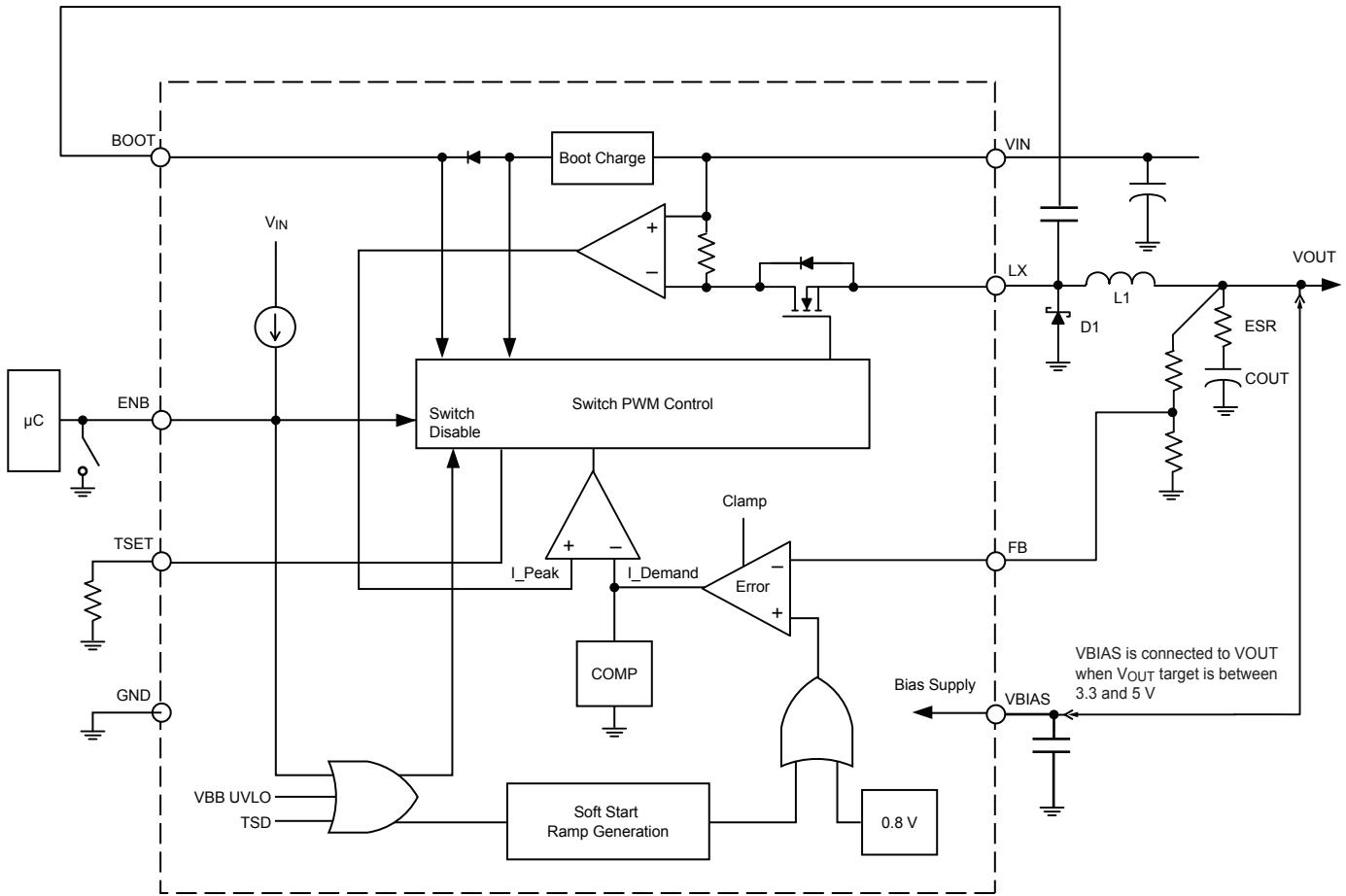
\* Additional information is available on the Allegro website.



Package LJ, 8-Pin SOIC Pin Out Diagram

Terminal List Table

Number	Name	Description
1	BOOT	Gate drive boost node
2	ENB	On/off control; logic input
3	TSET	Off-time setting
4	GND	Ground
5	FB	Feedback for adjustable regulator
6	VBIAS	Bias supply input
7	LX	Buck switching node
8	VIN	Supply input



Functional Block Diagram

ELECTRICAL CHARACTERISTICS<sup>1,2</sup> at  $T_A = 25^\circ\text{C}$ ,  $V_{IN} = 8$  to  $50$  V (unless noted otherwise)

Characteristics	Symbol	Test Conditions	Min.	Typ.	Max.	Units
VIN Quiescent Current	$I_{VIN(Q)}$	$V_{ENB} = \text{LOW}$ , $V_{IN} = 42$ V, $V_{BIAS} = 3.2$ V, $V_{FB} = 1.5$ V (not switching)	–	0.90	1.35	mA
		$V_{ENB} = \text{LOW}$ , $V_{IN} = 42$ V, $V_{BIAS} < 3$ V, $V_{FB} = 1.5$ V	–	4.4	6.35	mA
		$V_{ENB} = \text{HIGH}$	–	–	100	$\mu\text{A}$
VBIAS Input Current	$I_{BIAS}$	$V_{BIAS} = V_{OUT}$	–	3.5	5	mA
Buck Switch On Resistance	$R_{DS(on)}$	$T_A = 25^\circ\text{C}$ , $I_{OUT} = 3$ A	–	450	–	$\text{m}\Omega$
		$T_A = 125^\circ\text{C}$ , $I_{OUT} = 3$ A	–	650	–	$\text{m}\Omega$
Fixed Off-Time Proportion		Based on calculated value	–15	–	15	%
Feedback Voltage	$V_{FB}$		0.784	0.8	0.816	V
Output Voltage Regulation	$V_{OUT}$	$I_{OUT} = 0$ mA to 3 A	–3	–	3	%
Feedback Input Bias Current	$I_{FB}$		–400	–100	100	nA
Soft Start Time	$t_{ss}$		5	10	15	ms
Buck Switch Current Limit	$I_{CL}$	$V_{FB} > 0.4$ V	3.5	–	5	A
		$V_{FB} < 0.4$ V	0.5	–	1.5	A
ENB Open Circuit Voltage	$V_{OC}$	Output disabled	2.0	–	7	V
ENB Input Voltage Threshold	$V_{ENB(0)}$	LOW level input (Logic 0), output enabled	–	–	1.0	V
ENB Input Current	$I_{ENB(0)}$	$V_{ENB} = 0$ V	–10	–	–1	$\mu\text{A}$
VIN Undervoltage Threshold	$V_{UVLO}$	$V_{IN}$ rising	6.6	6.9	7.2	V
VIN Undervoltage Hysteresis	$V_{UVLO(hys)}$	$V_{IN}$ falling	0.7	–	1.1	V
Thermal Shutdown Temperature	$T_{JTSD}$	Temperature increasing	–	165	–	$^\circ\text{C}$
Thermal Shutdown Hysteresis	$T_{JTSD(hys)}$	Recovery = $T_{JTSD} - T_{JTSD(hys)}$	–	15	–	$^\circ\text{C}$

<sup>1</sup>Negative current is defined as coming out of (sourcing) the specified device pin.

<sup>2</sup>Specifications over the junction temperature range of  $0^\circ\text{C}$  to  $125^\circ\text{C}$  are assured by design and characterization.

## FUNCTIONAL DESCRIPTION

The A8498 is a fixed off-time, current-mode-controlled buck switching regulator. The regulator requires an external clamping diode, inductor, and filter capacitor, and operates in both continuous and discontinuous modes. An internal blanking circuit is used to filter out transients resulting from the reverse recovery of the external clamp diode. Typical blanking time is 200 ns.

The value of a resistor between the TSET pin and ground determines the fixed off-time (see graph in the  $t_{OFF}$  section).

$V_{OUT}$ . The output voltage is adjustable from 0.8 to 24 V, based on the combination of the value of the external resistor divider and the internal 0.8 V  $\pm 2\%$  reference. The voltage can be calculated with the following formula:

$$V_{OUT} = V_{FB} \times (1 + R1/R2) \quad (1)$$

### Light Load Regulation

To maintain voltage regulation during light load conditions, the switching regulator enters a cycle-skipping mode. As the output current decreases, there remains some energy that is stored during the power switch minimum on-time. In order to prevent the output voltage from rising, the regulator skips cycles once it reaches the minimum on-time, effectively making the off-time larger.

### Soft Start

An internal ramp generator and counter allow the output to slowly ramp up. This limits the maximum demand on the external power supply by controlling the inrush current required to charge the external capacitor and any dc load at startup. Internally, the ramp is set to 10 ms nominal rise time. During soft start, current limit is 3.5 A minimum.

The following conditions are required to trigger a soft start:

- $V_{IN} > 6$  V
- ENB pin input falling edge
- Reset of a TSD (thermal shut down) event

### $V_{BIAS}$

To improve overall system efficiency, the regulator output,  $V_{OUT}$ , is connected to the  $V_{BIAS}$  input to supply the operating bias current during normal operating conditions. During startup the circuitry is run off of the  $V_{IN}$  supply.  $V_{BIAS}$  should be connected to  $V_{OUT}$  when the  $V_{OUT}$  target level is between 3.3 and 5 V. If the output voltage is less than 3.3 V, then the A8498 can operate

with an internal supply and pay a penalty in efficiency, as the bias current will come from the high voltage supply,  $V_{IN}$ .  $V_{BIAS}$  can also be supplied with an external voltage source. No power-up sequencing is required for normal operation.

### ON/OFF Control

The ENB pin is externally pulled to ground to enable the device and begin the soft start sequence. When the ENB is open circuited, the switcher is disabled and the output decays to 0 V.

### Protection

The buck switch will be disabled under one or more of the following fault conditions:

- $V_{IN} < 6$  V
- ENB pin = open circuit
- TSD fault

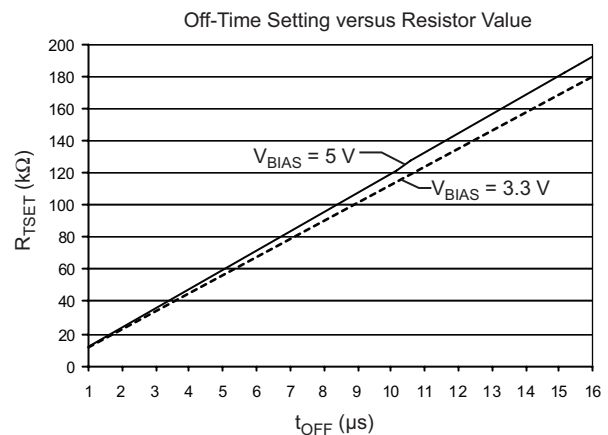
When the device comes out of a TSD fault, it will go into a soft start to limit inrush current.

### $t_{OFF}$

The value of a resistor between the TSET pin and ground determines the fixed off-time. The formula to calculate  $t_{OFF}$  ( $\mu$ s) is:

$$t_{OFF} = R_{TSET} \left( \frac{1 - 0.03 V_{BIAS}}{10.2 \times 10^9} \right), \quad (2)$$

where  $R_{TSET}$  (k $\Omega$ ) is the value of the resistor. Results are shown in the following graph:



**t<sub>ON</sub>**

From the volt-second balance of the inductor, the turn-on time, t<sub>on</sub>, can be calculated approximately by the equation:

$$t_{ON} = \frac{(V_{OUT} + V_f + I_{OUT} \times R_L) \times t_{OFF}}{V_{IN} - I_{OUT} \times R_{DS(on)} - I_{OUT} \times R_L - V_{OUT}} \quad (3)$$

where

V<sub>f</sub> is the voltage drop across the external Schottky diode,  
R<sub>L</sub> is the winding resistance of the inductor, and  
R<sub>DS(on)</sub> is the on-resistance of the switching MOSFET.

The switching frequency is calculated as follows:

$$f_{sw} = \frac{1}{t_{ON} + t_{OFF}} \quad (4)$$

**Shorted Load**

If the voltage on the FB pin falls below 0.4 V, the regulator will invoke a 1.5 A typical overcurrent limit to handle the shorted load condition at the regulator output. For low output voltages at power up and in the case of a shorted output, the offtime is extended to prevent loss of control of the current limit due to the minimum on-time of the switcher.

The extension of the off-time is based on the value of the TSET multiplier and the FB voltage, as shown in the following table:

V <sub>FB</sub> (V)	TSET Multiplier
< 0.16	8 × t <sub>OFF</sub>
< 0.32	4 × t <sub>OFF</sub>
< 0.5	2 × t <sub>OFF</sub>
> 0.5	t <sub>OFF</sub>

## COMPONENT SELECTION

## L1

The inductor must be rated to handle the total load current. The value should be chosen to keep the ripple current to a reasonable value. The ripple current,  $I_{RIPPLE}$ , can be calculated by:

$$I_{RIPPLE} = V_{L(OFF)} \times t_{OFF} / L \quad (5)$$

$$V_{L(OFF)} = V_{OUT} + V_f + I_{L(AV)} \times R_L \quad (6)$$

Example:

Given  $V_{OUT} = 5\text{ V}$ ,  $V_f = 0.55\text{ V}$ ,  $V_{IN} = 42\text{ V}$ ,  $I_{LOAD} = 0.5\text{ A}$ , power inductor with  $L = 180\text{ }\mu\text{H}$  and  $R_L = 0.5\text{ }\Omega$  Rdc at  $55^\circ\text{C}$ ,  $t_{OFF} = 7\text{ }\mu\text{s}$ , and  $R_{DS(on)} = 0.5\text{ }\Omega$ .

Substituting into equation 6:

$$V_{L(OFF)} = 5\text{ V} + 0.55\text{ V} + 0.5\text{ A} \times 0.5\text{ }\Omega = 5.8\text{ V}$$

Substituting into equation 5:

$$I_{RIPPLE} = 5.8\text{ V} \times 7\text{ }\mu\text{s} / 180\text{ }\mu\text{H} = 225\text{ mA}$$

The switching frequency,  $f_{SW}$ , can then be estimated by:

$$f_{SW} = 1 / (t_{ON} + t_{OFF}) \quad (7)$$

$$t_{ON} = I_{RIPPLE} \times L / V_{L(ON)} \quad (8)$$

$$V_{L(ON)} = V_{IN} - I_{L(AV)} \times R_{DS(on)} - I_{L(AV)} \times R_L - V_{OUT} \quad (9)$$

Substituting into equation 9:

$$V_{L(ON)} = 42\text{ V} - 0.5\text{ A} \times 0.5\text{ }\Omega - 0.5\text{ A} \times 0.5\text{ }\Omega - 5\text{ V} = 36.5\text{ V}$$

Substituting into equation 8:

$$t_{ON} = 225\text{ mA} \times 180\text{ }\mu\text{H} / 36.5\text{ V} = 1.11\text{ }\mu\text{s}$$

Substituting into equation 7:

$$f_{SW} = 1 / (7\text{ }\mu\text{s} + 1.11\text{ }\mu\text{s}) = 123\text{ kHz}$$

Higher inductor values can be chosen to lower the ripple current. This may be an option if it is required to increase the total maximum current available above that drawn from the switching regulator. The maximum total current available,  $I_{LOAD(MAX)}$ , is:

$$I_{LOAD(MAX)} = I_{CL(min)} - I_{RIPPLE} / 2 \quad (10)$$

where  $I_{CL(min)}$  is 3.5 A, from the Electrical Characteristics table.

## D1

The Schottky catch diode should be rated to handle 1.2 times the maximum load current. The voltage rating should be higher than the maximum input voltage expected during all operating conditions. The duty cycle for high input voltages can be very close to 100%.

## COUT

The main consideration in selecting an output capacitor is voltage ripple on the output. For electrolytic output capacitors, a low-ESR type is recommended.

The peak-to-peak output voltage ripple is simply  $I_{RIPPLE} \times \text{ESR}$ . Note that increasing the inductor value can decrease the ripple current. The ESR should be in the range from 50 to 500 m $\Omega$ .

## RTSET Selection

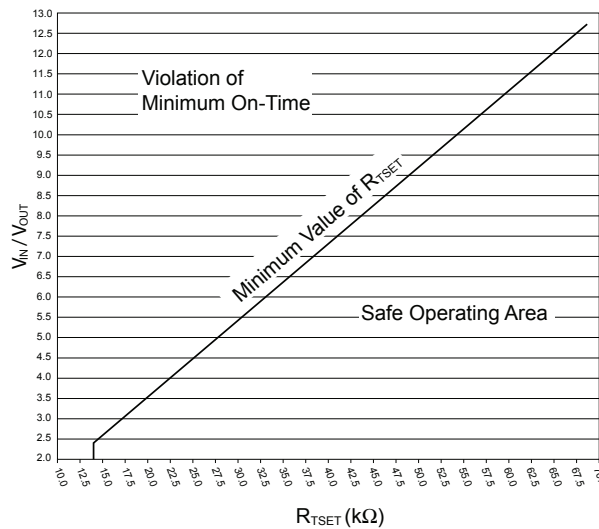
Correct selection of RTSET values will ensure that minimum on time of the switcher is not violated and prevent the switcher from cycle skipping. For a given  $V_{IN}$  to  $V_{OUT}$  ratio, the RTSET value must be greater than or equal to the value defined by the curve in the plot below.

Note. The curve represents the minimum RTSET value. When calculating  $R_{TSET}$ , be sure to use  $V_{IN(max)} / V_{OUT(min)}$ . Resistor

tolerance should also be considered, so that under no operating conditions the resistance on the TSET pin is allowed to go below the minimum value.

## FB Resistor Selection

The impedance of the FB network should be kept low to improve noise immunity. Large value resistors can pick up noise generated by the inductor, which can affect voltage regulation of the switcher.



## Recommended Components

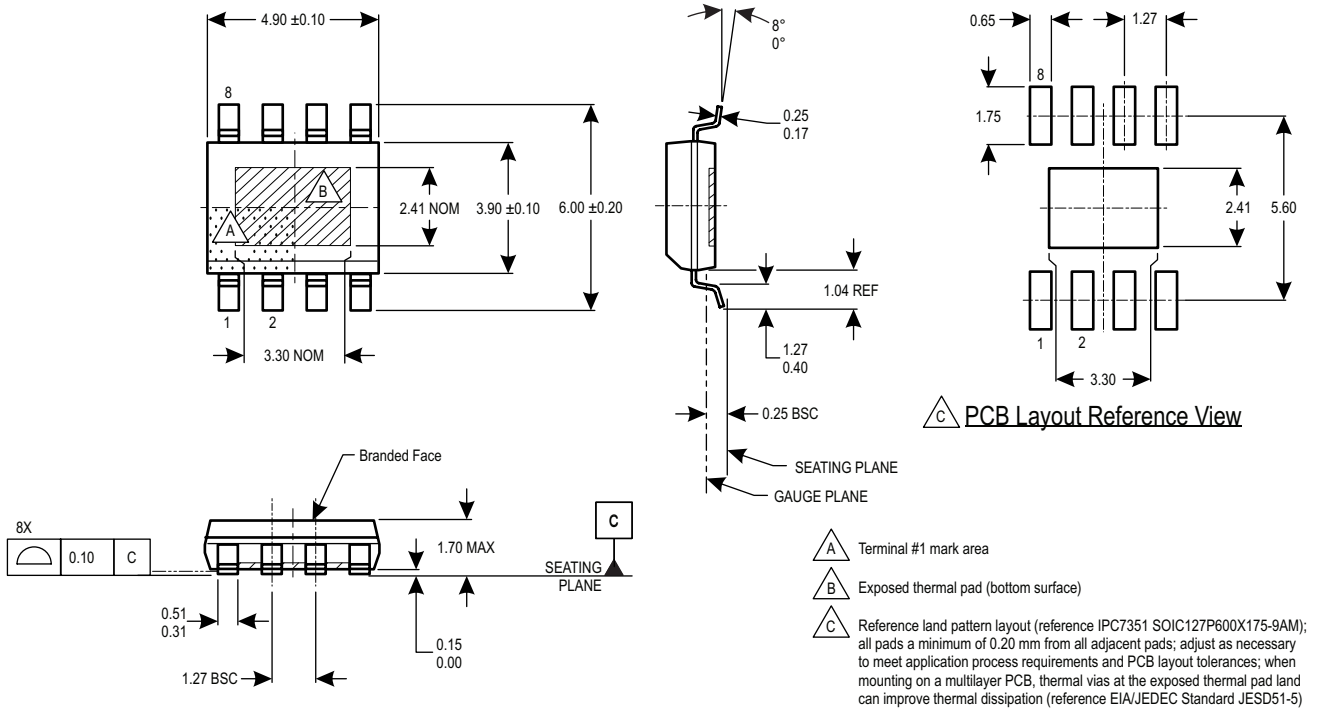
Component	$V_{IN} = 42 V$ (Through Hole)		$V_{IN} = 24 V$ (SMD)		$V_{IN} = 12 V$ (SMD)	
	Description	Part Number	Description	Part Number	Description	Part Number
Inductor	Sumida, 68 $\mu H$	RCH1216BNP-680K	47 $\mu H$ , 53 m $\Omega$ , 3.9 A, $\pm 20\%$	CDRH127/LDNP-470MC	33 $\mu H$ , 53 m $\Omega$ , 3.9 A, $\pm 20\%$	CDRH127/LDNP-330MC
Diode	NIEC Schottky Barrier, 60 V, TO-252AA	NSQ03A06	Schottky, 30V, 3A, SMA	B330	Schottky, 20 V, 3 A, SMA	B320
CBOOT	Ceramic X7A, 0.01 $\mu F$ , 100 V	Generic	Ceramic, X7R, $\pm 10\%$ , 0.01 $\mu F$ / 50 V	C0603C103K5RACTU (Kemet)	Ceramic, X7R, $\pm 10\%$ , 0.01 $\mu F$ / 50 V	C0603C103K5RACTU (Kemet)
CIN1	Ceramic X7A, 0.22 $\mu F$ , 50 V	Generic	Ceramic, X7R, $\pm 10\%$ , 0.1 $\mu F$ / 50 V	GRM188R71H104KA93D (Murata)	Ceramic, X7R, $\pm 10\%$ , 0.1 $\mu F$ / 50 V	GRM188R71H104KA93D (Murata)
CIN2	Rubycon ZL, 220 $\mu F$ , 50 V	50-ZL-220-M-10 X 16	Aluminum electrolytic, 35 V / 82 $\mu F$ , 930 mA ripple current	35V-ZAV-820-8 X 12 (two)	Aluminum electrolytic, 35 V / 82 $\mu F$ , 930 mA ripple current	35V-ZAV-820-8 X 12 (two)
COUT	Rubycon ZL, 220 $\mu F$ , 25 V	25-ZL-220-M-8 X 11.5	Aluminum electrolytic, 6.3 V / 330 $\mu F$ , 450 mA ripple current	EEVFC0J331P (Panasonic)	Aluminum electrolytic, 6.3 V / 330 $\mu F$ , 450 mA ripple current	EEVFC0J331P (Panasonic)
R1	2.55 k $\Omega$ at $V_{OUT} = 1.8 V$ 6.34 k $\Omega$ at $V_{OUT} = 3.3 V$ 10.5 k $\Omega$ at $V_{OUT} = 5.0 V$		2.55 k $\Omega$ at $V_{OUT} = 1.8 V$ 6.34 k $\Omega$ at $V_{OUT} = 3.3 V$ 10.5 k $\Omega$ at $V_{OUT} = 5.0 V$		2.55 k $\Omega$ at $V_{OUT} = 1.8 V$ 6.34 k $\Omega$ at $V_{OUT} = 3.3 V$ 10.5 k $\Omega$ at $V_{OUT} = 5.0 V$	
R2	2 k $\Omega$		2 k $\Omega$		2 k $\Omega$	
$R_{TSET}$	63.4 k $\Omega$		47.5 k $\Omega$		35.2 k $\Omega$	



PACKAGE OUTLINE DRAWING

For Reference Only – Not for Tooling Use

(Reference MS-012BA)  
 Dimensions in millimeters – NOT TO SCALE  
 Dimensions exclusive of mold flash, gate burrs, and dambar protrusions  
 Exact case and lead configuration at supplier discretion within limits shown



Package LJ 8-Pin SOIC with Exposed Thermal Pad

**Revision History**

Revision	Revision Date	Description of Revision
6	September 10, 2014	Revised $I_{CL}$ Max. spec.
7	July 7, 2016	Revised $V_{ENB}$ Max. spec.

Copyright ©2006-2016, Allegro MicroSystems, LLC

Allegro MicroSystems, LLC reserves the right to make, from time to time, such departures from the detail specifications as may be required to permit improvements in the performance, reliability, or manufacturability of its products. Before placing an order, the user is cautioned to verify that the information being relied upon is current.

Allegro's products are not to be used in any devices or systems, including but not limited to life support devices or systems, in which a failure of Allegro's product can reasonably be expected to cause bodily harm.

The information included herein is believed to be accurate and reliable. However, Allegro MicroSystems, LLC assumes no responsibility for its use; nor for any infringement of patents or other rights of third parties which may result from its use.

*For the latest version of this document, visit our website:*

[www.allegromicro.com](http://www.allegromicro.com)

