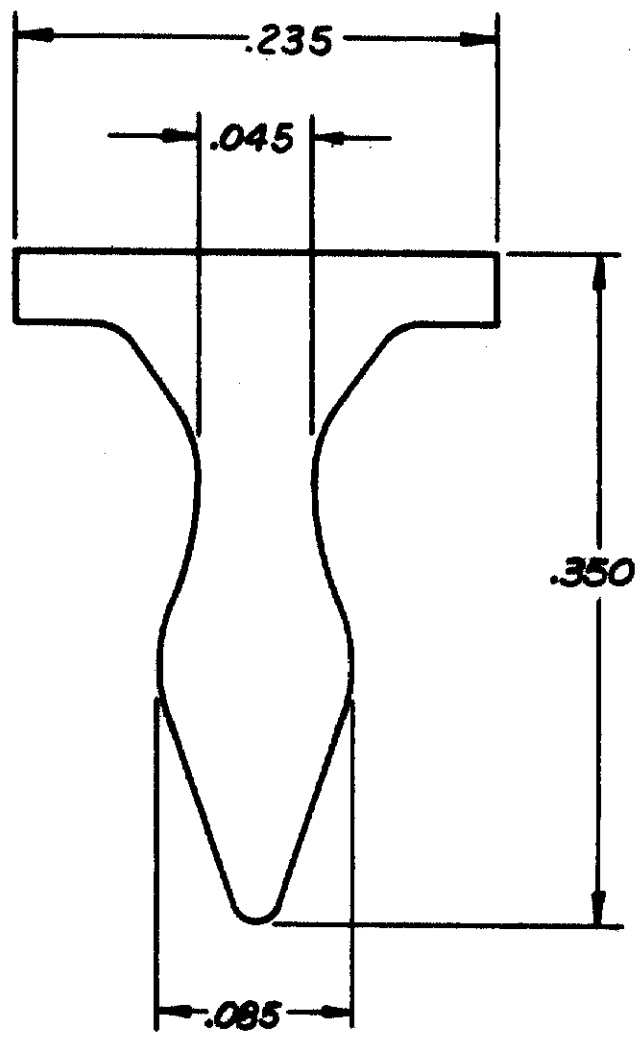


THIS DRAWING IS UNPUBLISHED. RELEASED FOR PUBLICATION MAY 7, 1982.
 © COPYRIGHT 1982 BY AMP INCORPORATED, HARRISBURG, PA. ALL INTERNATIONAL RIGHTS RESERVED. AMP PRODUCTS MAY BE COVERED BY U.S. AND FOREIGN PATENTS AND/OR PATENTS PENDING.

REVISIONS					
P	F	LTR	DESCRIPTION	DATE	APPROVED
✓	✓	0	REL PER NPS 202-14270	5-7-82	MB



-1 AS SHOWN

UNLESS OTHERWISE SPECIFIED DIMENSIONS ARE IN INCHES.
 TOLERANCES ON:
 DECIMALS ±.005
 ANGLES ±

MATERIAL
NYLON TYPE 66
 .070 THK

FINISH

CONTRACT NO

DR *M Bowers 5-7-82*

CHK *Q.P. 12 MAY '82*

APPD *H. Albert 5-18-82*

APPD *M Bowers 5/11/82*

DSGN APPD

OTHER APPD

AMP | AMP INCORPORATED
 Harrisburg, Pa. 17105

NAME
KEY POLARIZING

SIZE **A** FSCM NO **00779** DRAWING NO **645089**

SCALE SHEET