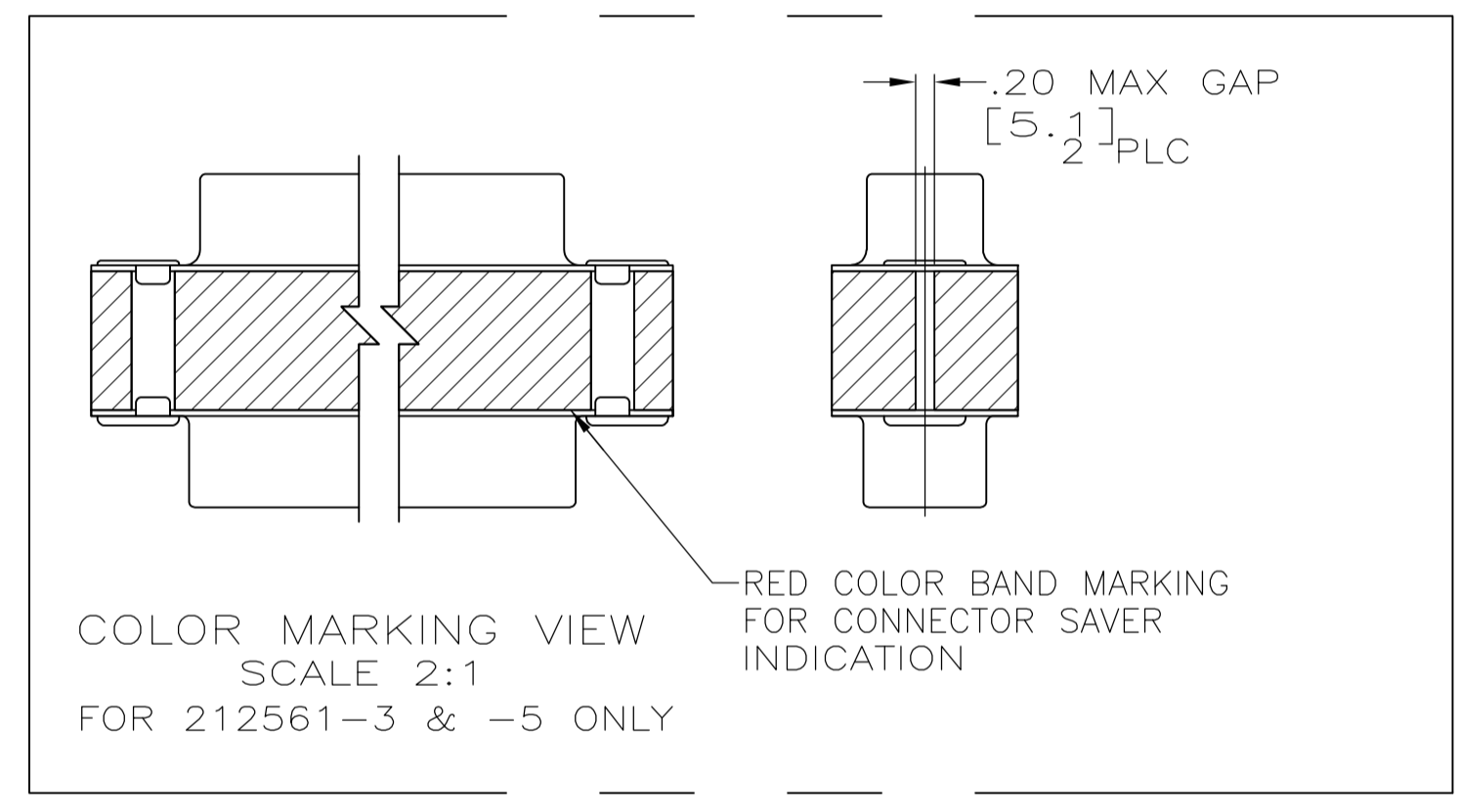
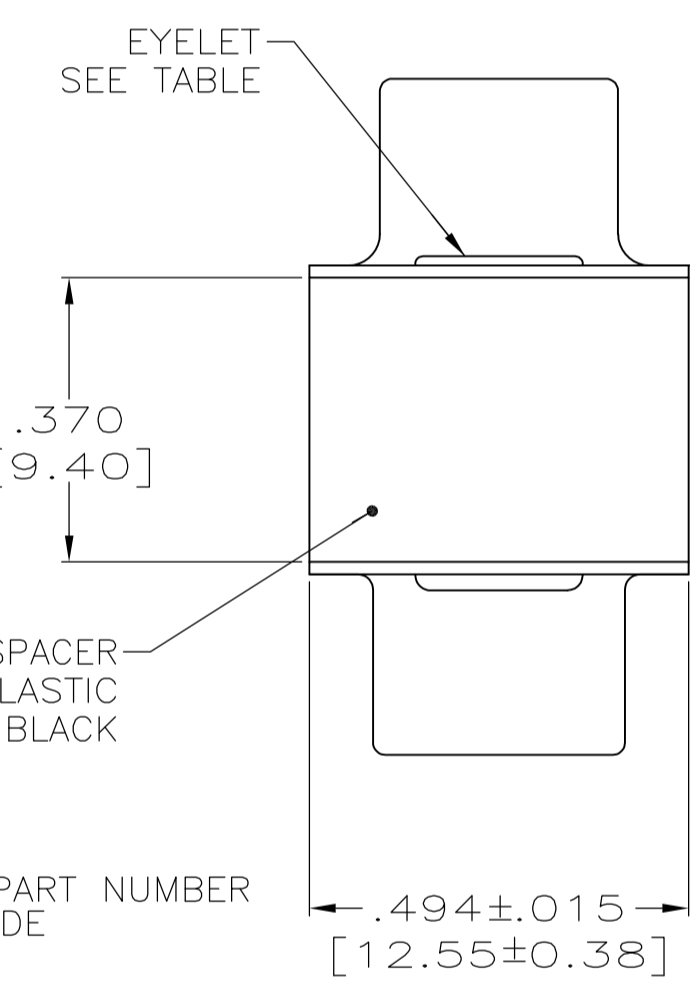
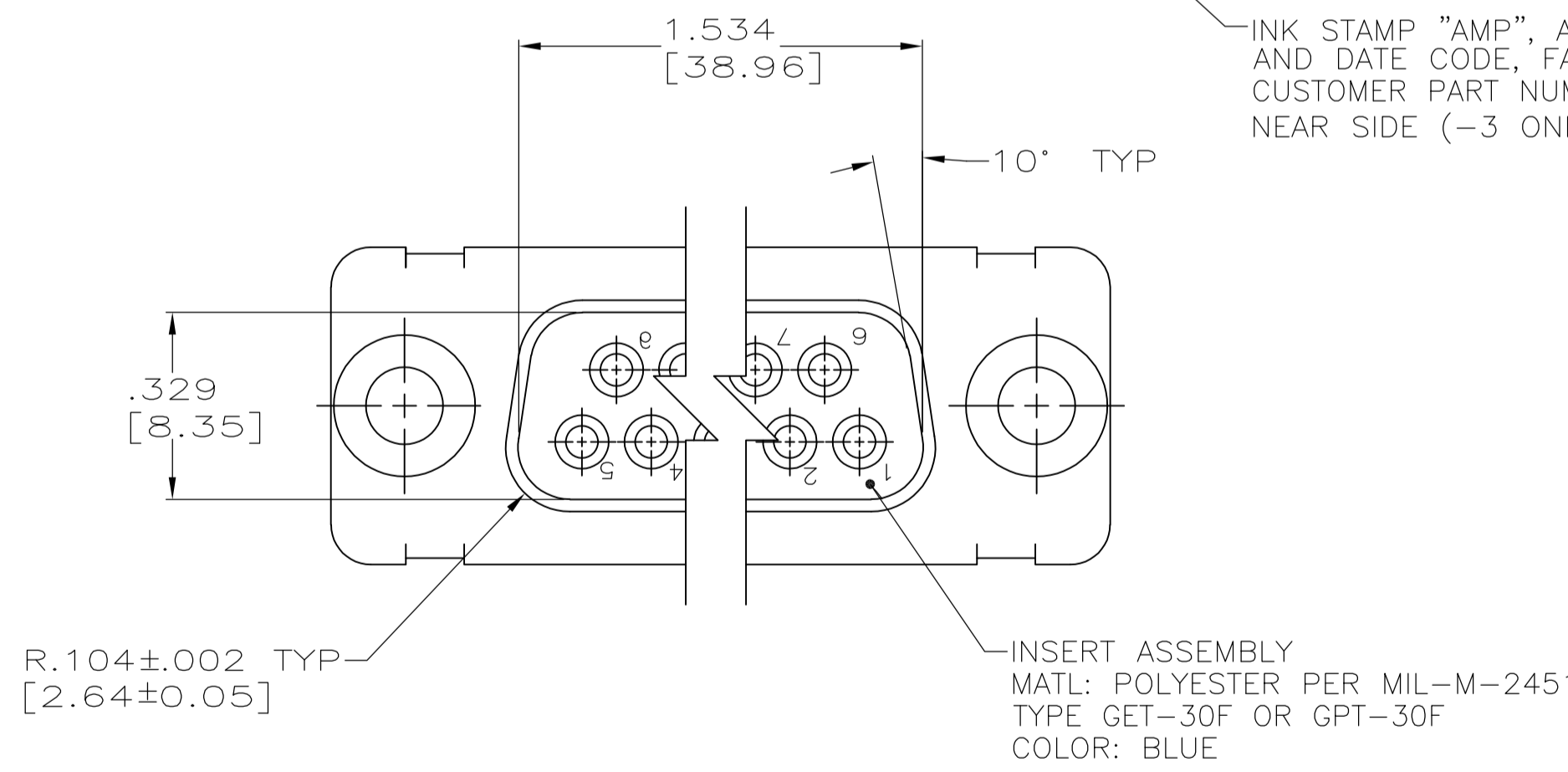
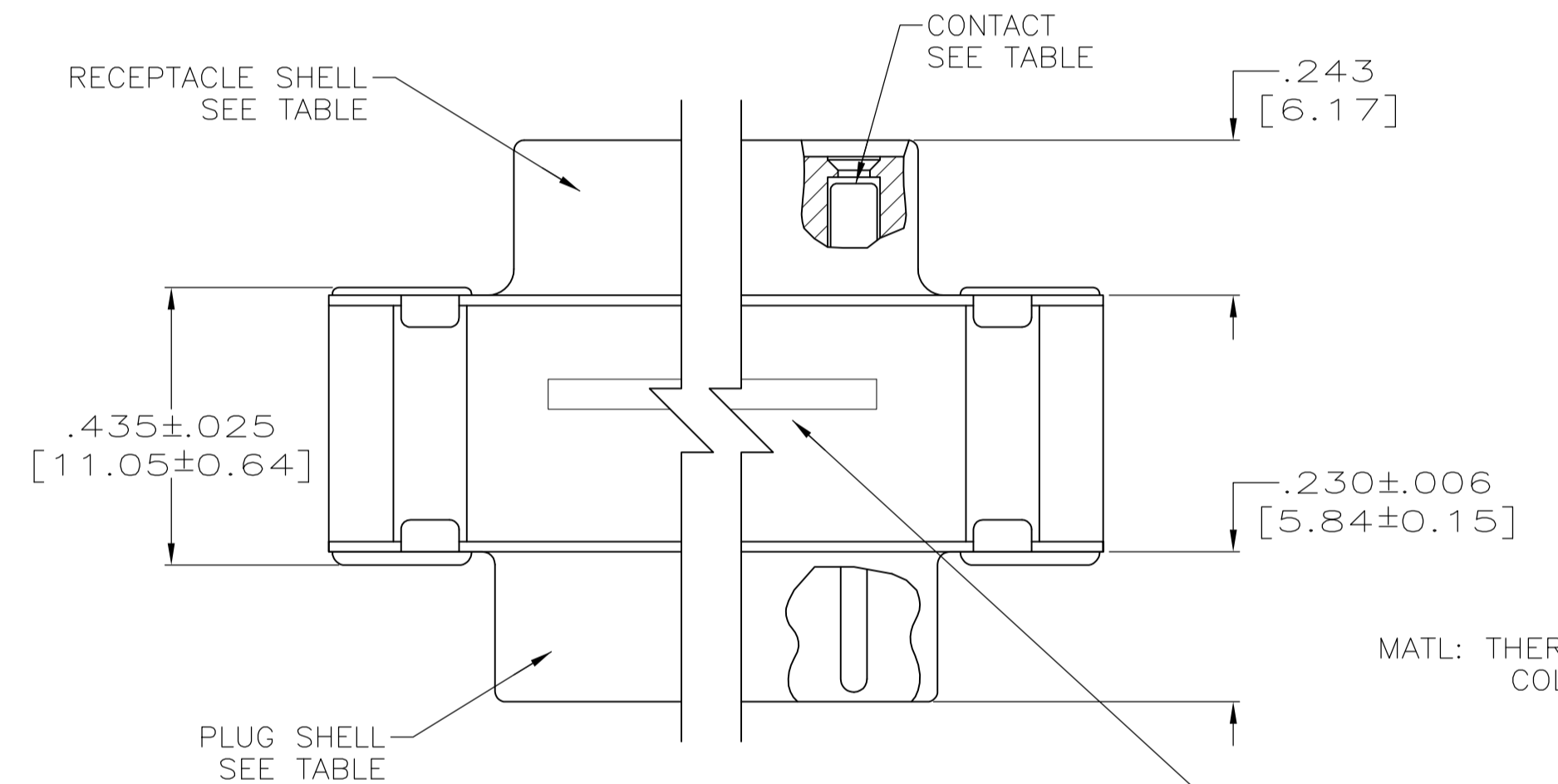
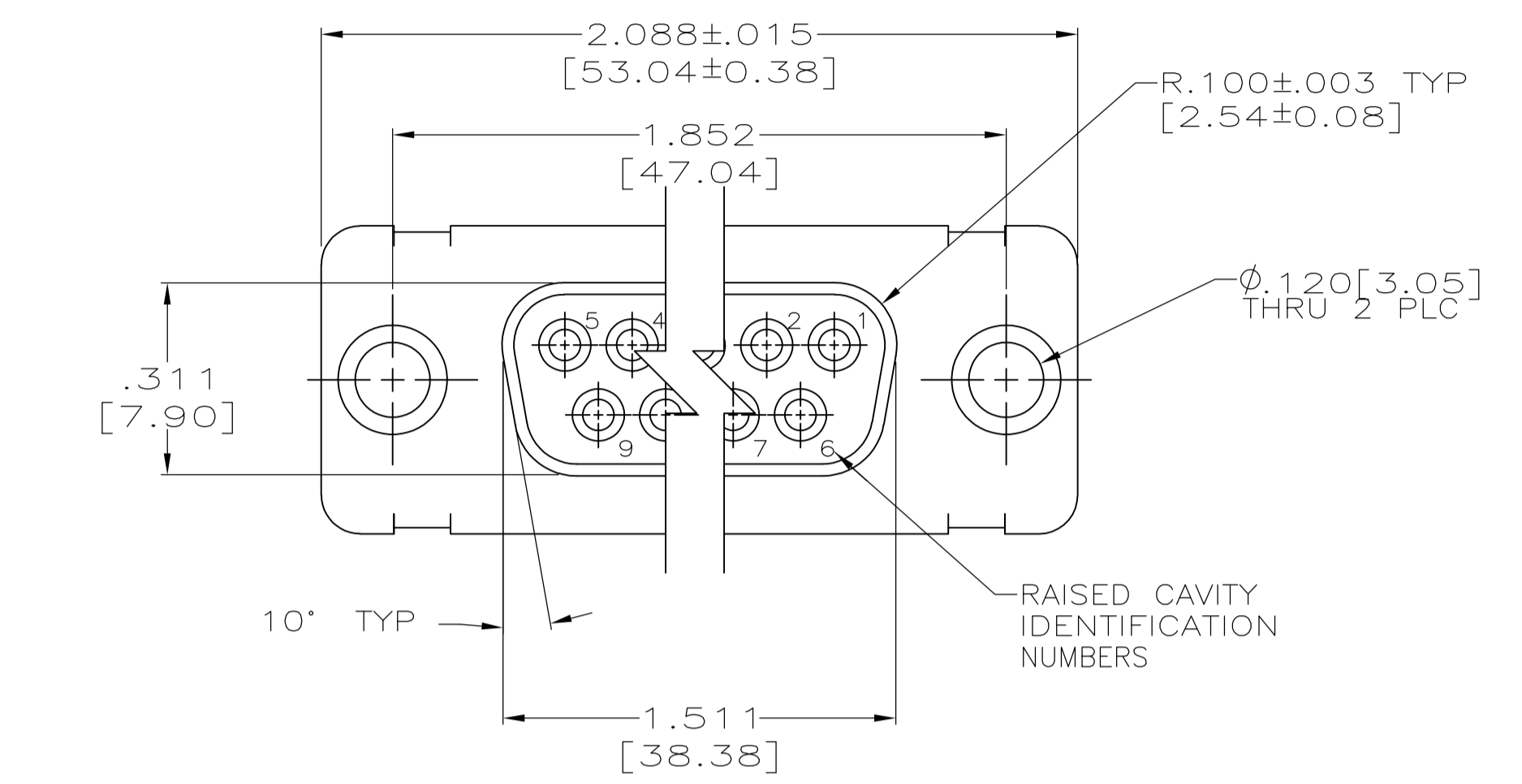


LOC		DIST		REVISIONS			
P	LTR	DESCRIPTION	DATE	DNW	APVD		
N		REV PER ECO 13-001184	1-29-13	RL	CT		



- CONTACTS INCLUDED IN ASSEMBLY.
- MATL: STEEL, PER ASTM-A-109.
- FINISH: CADIUM PER QQ-P-416.
- CONTACT  
 BODY MATL: BERYLLIUM COPPER PER ASTM-B-197.  
 BODY FINISH: PLATED GOLD, .000050 MIN THK PER MIL-G-45204 OVER NICKEL, .000050 MIN THK PER QQ-N-290.  
 HOOD MATL: STAINLESS STEEL PER ASTM-A-167.  
 HOOD FINISH: PASSIVATED PER ASTM-A-380.
- FINISH: PLATED ZINC .00020 MIN THK PER ASTM-B-633. YELLOW CHROMATE FINISH.
- MATL: BRASS PER ASTM-B-36.
- FINISH: PLATED GOLD, .000050 MIN THK PER MIL-G-45204 OVER COPPER, .000100 MIN THK PER MIL-C-14550.
- CONTACT  
 BODY MATL: BERYLLIUM COPPER PER ASTM-B-197.  
 BODY AND HOOD FINISH: PLATED GOLD, .000050 MIN THK PER MIL-G-45204 OVER COPPER, .000100 MIN THK PER MIL-C-14550.  
 HOOD MATL: BRASS PER ASTM-B-36
- FINISH: PLATED ZINC PER ASTM-B-633 .000200 MIN THK WITH SUPPLEMENTARY CHROMATE (Cr3+).

				5-212561-1
			4U884 SOCN R10002677-0103	212561-5
OBSOLETE				212561-4
			(1J02-103)	212561-3
				212561-2
				212561-1
EYELET	SHELLS	CONTACT	CUSTOMER P/N	PART NO.

THIS DRAWING IS A CONTROLLED DOCUMENT.		DIN T. THOMPSON 11-07-94	
DIMENSIONS: INCHES		CHK D. MANTIONE	
TOLERANCES UNLESS OTHERWISE SPECIFIED:		APVD D. MANTIONE	
0 PLC ± -	1 PLC ± -	NAME	
2 PLC ± -	3 PLC ± .005 [0.13]	PRODUCT SPEC	
4 PLC ± -	ANGLES ± -	APPLICATION SPEC	
MATERIAL	FINISH	SIZE	CAGE CODE DRAWING NO
		A1	00779C=212561
CUSTOMER DRAWING		SCALE	SHEET 1 OF 1 REV N
		4:1	